

DESCRIPTION

The single station recessed wash console model 1400-8 is used in commercial applications. This unit is a compact wash console with built in mirror/door, towel dispenser and soap dispenser. The unit is attached to wall studs through required wall opening. The wall opening is concealed by 1" flange. Construction is of 18 and 20 gauge type 304 stainless steel with exposed surfaces polished to a #4 satin finish. The fixture is 20" wide x 62" tall and recessed into wall 4". Sink extends 17-1/4" into room.

SPECIFICATION

The cabinet is 18 gauge type 304 stainless steel. The cabinet is constructed with a storage shelf behind the mirror/door.

The mirror is 1/4" plate glass. The door is stainless steel with heavy duty full length piano hinge, rod stop, and lock.

The soap dispenser is partially mounted behind the mirror/door and the stainless steel tank has a capacity of 100 fl. oz.

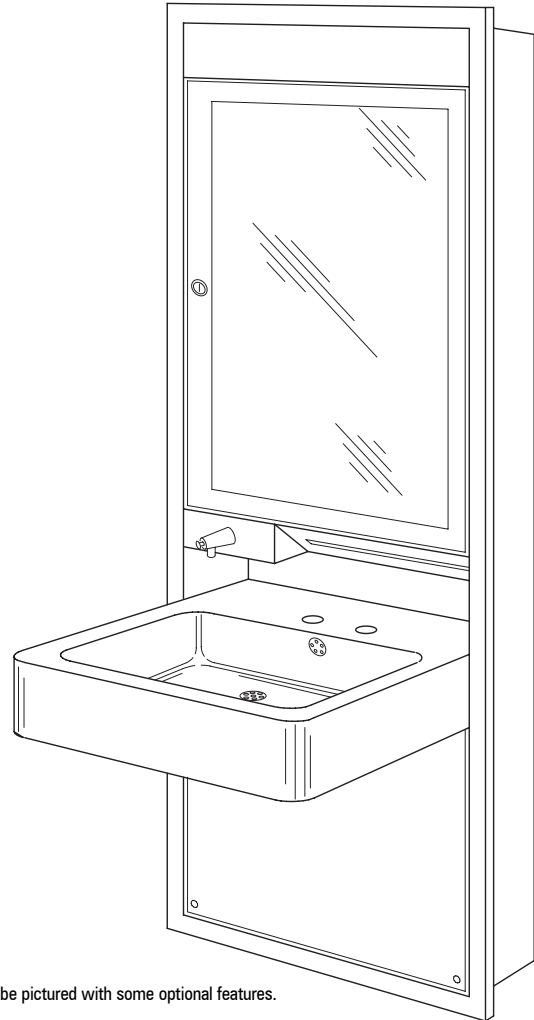
The paper towel dispenser is 16 gauge type 304 stainless steel. This dispenser holds 500 C-fold or 800 multi-fold paper towels.

The lavatory is 18 gauge type 304 stainless steel with a #4 satin finish. The bowl is 14" x 16" x 5" deep. Grid drain with close elbow and tailpiece. Trap is supplied by installing contractor. Lavatory bowl includes overflow. Faucet is to be furnished by installing contractor unless otherwise directed. Lavatory deck punched per installer's instructions.

Waste enclosure shall be fabricated of 18 gauge type 304 stainless steel. Enclosure conceals lavatory bottom and waste piping. The built-in access panel below the lavatory allows for easy access to the plumbing for the fixture.

Notes:

Faucet is supplied and mounted by others.
Specify hole requirements for faucet.



Unit may be pictured with some optional features.

STANDARD FEATURES

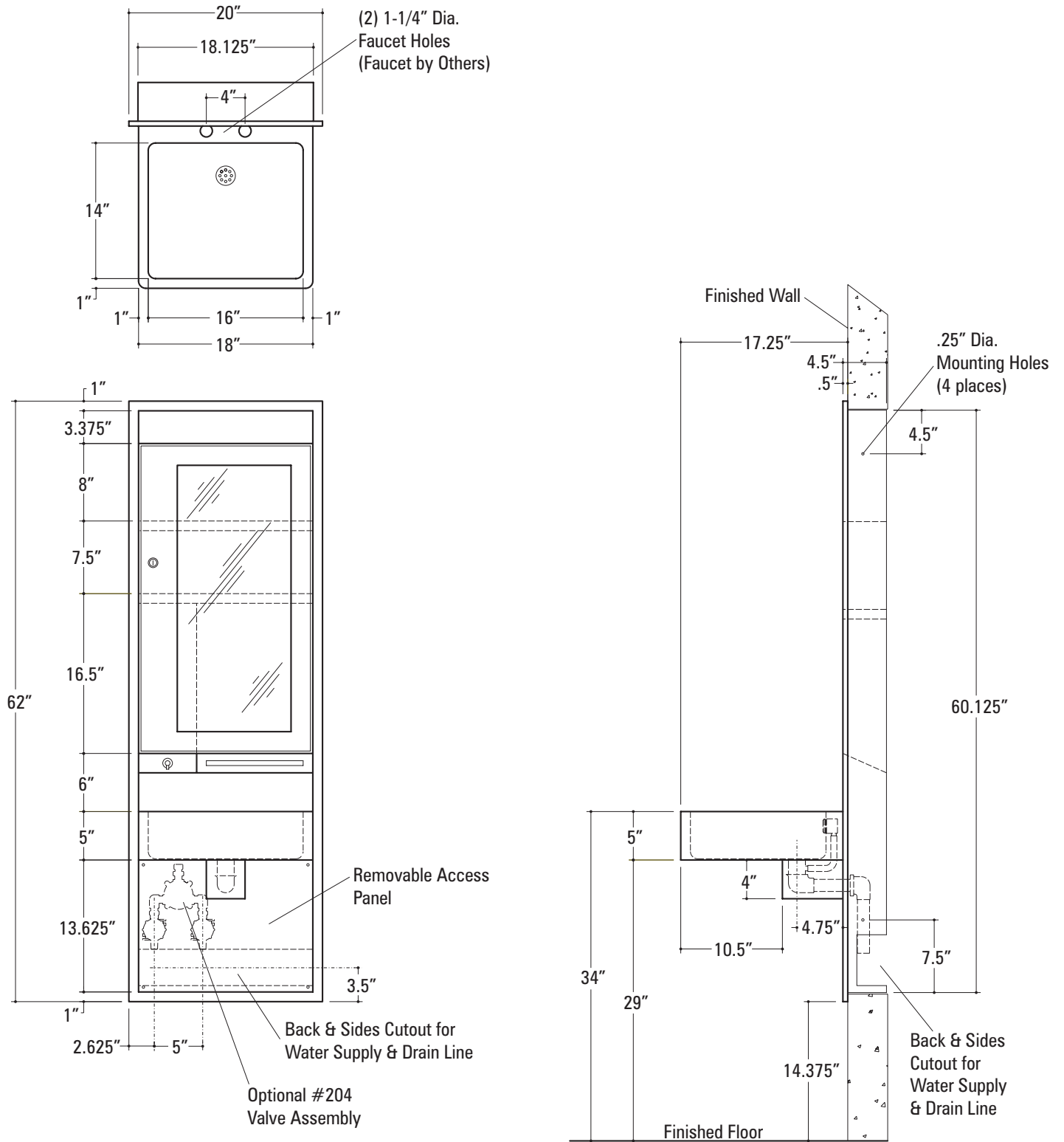
- Stainless steel construction.
- Stainless steel rectangular sink.
- Paper towel dispenser.
- Soap dispenser.
- Storage shelf.
- Waste enclosure.
- Access panel.
- 1/4" Plate glass mirror.
- Locking hinged door.
- Exposed screws are stainless steel tamperproof.

OPTIONS

#204- Concealed Thermostatic mixing valve assembly

METCRAFT

INDUSTRIES INC.



METCRAFT

INDUSTRIES INC.