

7660 BACK SUPPLY 7665 TOP SUPPLY

Front Mounted, Blowout Urinal

These Blowout Urinals are designed for areas prone to abuse and vandalism where a pipe chase is not available. The fixtures are fabricated using heavy gauge type 304 stainless steel, seamlessly welded to form a one piece durable fixture. Flushing rim provides a full sanitary washdown of the interior. Integral stainless steel blowout trap is fully enclosed.

INSTALLATION

These Fixtures are designed for front mounting with no available pipe chase. Flush supply and waste piping must be roughed in at wall locations shown on rough-in drawings provided by Metcraft. Wall anchors (supplied by others) are embedded in the wall at locations shown on rough-in drawings. Fixture is secured to the wall using threaded steel studs and vandal resistant cap nuts. For back supply fixtures, access must be provided for connection of concealed flush valve (by others) and future service.

RECOMMENDED FLUSH VALVES

	SLOAN	ZURN	DELANY
Concealed	609	Z6609	F547
Exposed	180-T	Z6610	F448

NOTE: Plan for service access to concealed flush valves.

STANDARD FEATURES

- Integral fully enclosed stainless steel trap with blowout jet.
- 7660 back supply connection 1 1/2" (38mm) FIPT.
- 7665 top supply connection 1 1/2" (38mm) MIPT.
- Gasket type waste outlet with 5 1/2" (140mm) dia. recessed gasket flange.
- Flushing rim for full sanitary washdown of interior.



Unit may be pictured with some optional features.

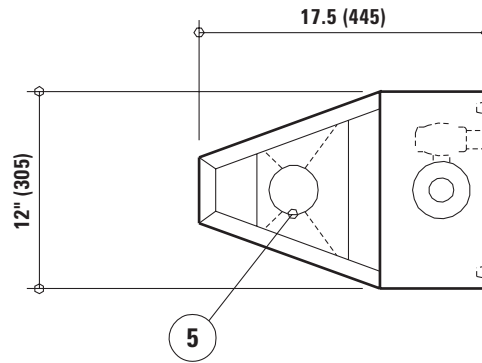
OPTIONS & ACCESSORIES

- A168** Metal template
- A247** Flush valve connector 1 1/2" (38mm)
(to be used with a back supply fixture)
- A610** Flush valve access panel
13 1/2" (343mm) x 13 1/2" (343mm)

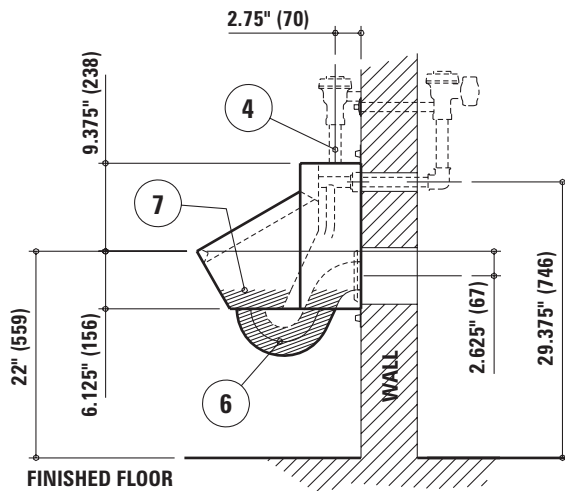
METCRAFT

INDUSTRIES INC.

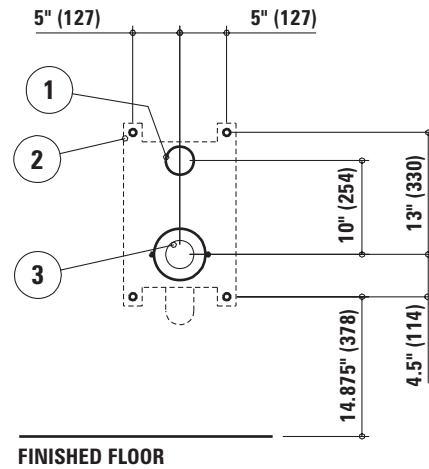
FIXTURE PLAN VIEW



FIXTURE SIDE VIEW



WALL ELEVATION VIEW (fixture side)



ROUGH-IN INFORMATION

- ① 3" (76mm) dia. wall opening for 1 1/2" (38mm) FIPT flush supply inlet (model #7660)

② Anchor locations supplied with (4) 3/8" x 2" (10mm x 51mm) threaded studs and tamper-resistant cap nuts
- ③ 5 1/2" (140mm) dia. recessed gasket flange

④ 1 1/2" (38mm) MIPT top supply inlet (model #7665)
- ⑤ Large dia. waste outlet

⑥ 3" (76mm) OD integral s/s trap fully enclosed

⑦ Water level

Due to continuous product improvement Metcraft reserves the right to make changes in design and specifications without prior notice. All dimensions should be verified with the factory for current information.

2007

