

7160 BACK SUPPLY 7165 TOP SUPPLY

Back Mounted, Wall Hung, Blowout Urinal

These Blowout Urinals are designed for high security areas with an accessible pipe chase. The fixtures are fabricated using heavy gauge type 304 stainless steel seamlessly welded to form a one piece, tamper resistant fixture. Flushing rim provides a full sanitary washdown of the interior. Integral trap is fully enclosed.

INSTALLATION

Four 1/2" (13mm) plated steel anchor rods are screwed into sockets on back of the fixture and pass through the wall to an accessible pipe chase. Anchor rods are secured with washer lugs and hex nuts from behind the wall. The installer must provide wall openings for anchor rods and piping connections per rough-in drawings provided by Metcraft.

NOTE: A security frame (wall sleeve) is recommended when installed on a new block (CMU) or poured concrete wall. A security frame is not appropriate for hollow wall construction.



Unit may be pictured with some optional features.

RECOMMENDED FLUSH VALVES

	SLOAN	ZURN	DELANY
Concealed	609	Z6609	F547
Exposed	180-T	Z6610	F448

STANDARD FEATURES

- Plated steel concealed anchor rods with nuts and washers.
- 7160 back supply connection 1 1/2" (38mm) FIPT.
- 7165 top supply connection 1 1/2" (38mm) MIPT.
- 3" (76mm) OD stainless steel fully enclosed trap with blowout jet.
- Plain end waste extended 4" (102mm) past back of fixture for NH type connection.

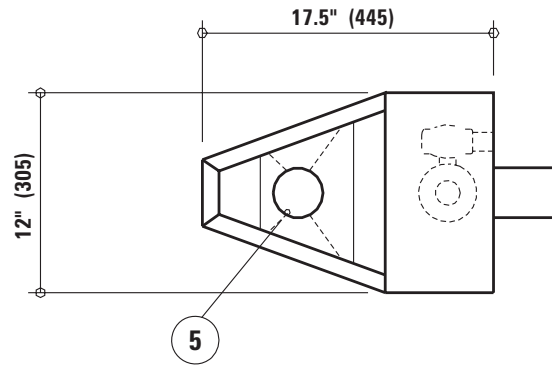
OPTIONS & ACCESSORIES

- A120** Security frame (wall sleeve)
- A168** Metal template
- GW** Gasket waste outlet
- A247** Flush valve connector 1 1/2" (38mm)
(to be used with a back supply fixture)
- A210-1** Coupling 3" (76mm) s/s to 4" (102mm) CI
- A210-2** Coupling 3" (76mm) s/s to 4" (102mm) PL
- A210-3** Coupling 3" (76mm) s/s to 3" (76mm) CI
- A210-4** Coupling 3" (76mm) s/s to 3" (76mm) PL

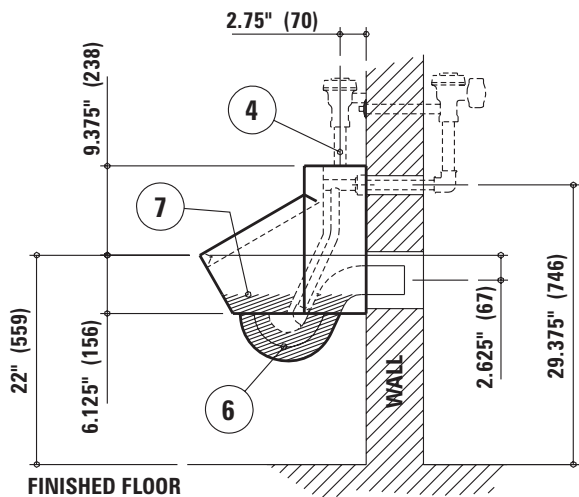
METCRAFT

INDUSTRIES INC.

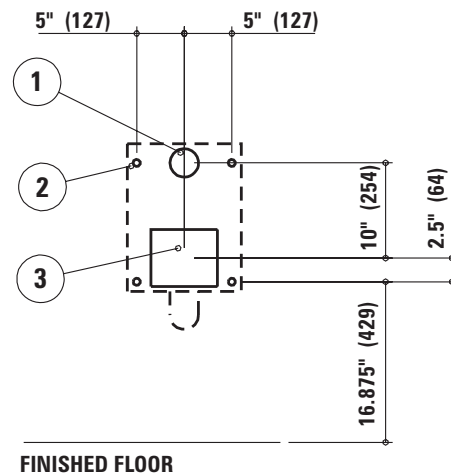
FIXTURE PLAN VIEW



FIXTURE SIDE VIEW



WALL ELEVATION VIEW (fixture side)



ROUGH-IN INFORMATION

- ① 3" (76mm) dia. wall opening for 1 1/2" (38mm) FIPT flush supply inlet (model #7160)

② 1" (25mm) dia. wall openings for anchors (4)
- ③ 7" x 6" (178mm x 152mm) wall opening for waste outlet

④ 1 1/2" (38mm) MIPT top supply inlet (model #7165)
- ⑤ Large dia. waste outlet

⑥ 3" (76mm) OD integral s/s trap fully enclosed

⑦ Water level

Due to continuous product improvement Metcraft reserves the right to make changes in design and specifications without prior notice. All dimensions should be verified with the factory for current information.

2007

