

7130 BACK SUPPLY 7135 TOP SUPPLY

Wall Hung, Washdown Urinal, Straddle Type

These washdown Urinals are designed for high security areas with an accessible pipe chase. Fixtures are fabricated using 14-gauge type 304 stainless steel seamlessly welded to form a one piece, tamper resistant fixture. Flushing provides a sanitary washdown of the interior. Exposed surfaces are polished to a satin finish. Fixtures come with a beehive type strainer, P-trap and vandal resistant stainless steel trap enclosure.

INSTALLATION

An accessible pipe chase is required for installation. Four 1/2" (13mm) dia. plated steel anchor rods screw into sockets on back of the fixture. Anchor rods pass through the wall and are secured with washer lugs and hex nuts on the chase side. Installer must provide wall openings for anchor rods and piping per rough-in drawings provided by Metcraft.

NOTE: A security frame (wall sleeve) is recommended when installed on a new block (CMU) or poured concrete wall. A security frame is not appropriate for hollow wall construction.

RECOMMENDED FLUSH VALVES

	SLOAN	ZURN	DELANY
Concealed	613	Z6613	F576
Exposed	186	Z6614	F575

STANDARD FEATURES

- Plated steel concealed anchor rods and fasteners.
- 7130 back supply connection 3/4" (19mm) MIPT.
- 7135 top supply connection 3/4" (19mm) MIPT.
- High volume beehive style strainer.
- 1 1/2" (38mm) OD P-trap for slip-joint connection.
- Vandal resistant stainless steel trap enclosure.



Unit may be pictured with some optional features.

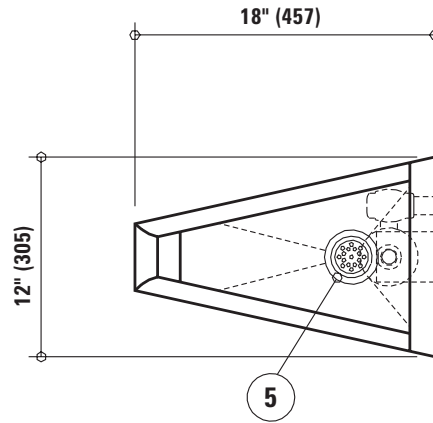
OPTIONS & ACCESSORIES

- A120** Security frame (wall sleeve)
- A168** Metal template
- A245** Flush valve connector 3/4" (19mm)
(to be used with a back supply fixture)

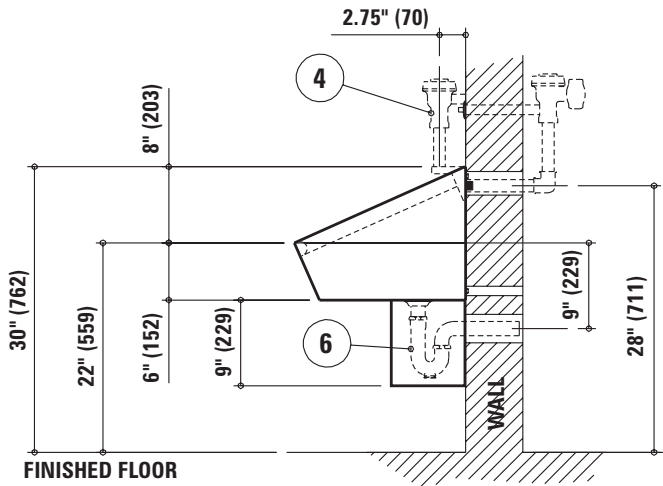
METCRAFT

INDUSTRIES INC.

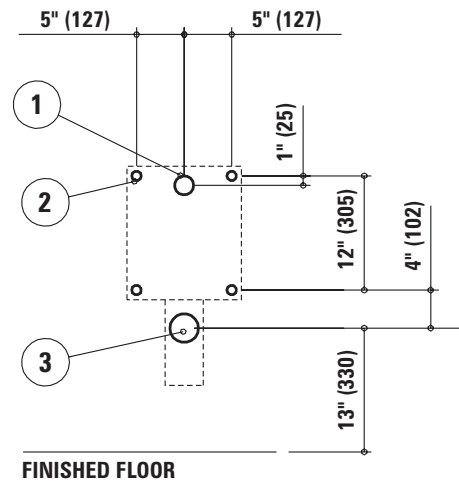
FIXTURE PLAN VIEW



FIXTURE SIDE VIEW



WALL ELEVATION VIEW (fixture side)



ROUGH-IN INFORMATION

- ① 2" (51mm) dia. wall opening for 3/4" (19mm) MIPT flush supply inlet (model #7130)
- ② 1" (25mm) dia. wall openings for anchors (4)
- ③ 3" (76mm) dia. wall opening for waste outlet
- ④ 3/4" (19mm) MIPT top supply inlet (model #7135)
- ⑤ High volume beehive strainer
- ⑥ 1 1/2" (38mm) OD slip-joint P-trap

Due to continuous product improvement Metcraft reserves the right to make changes in design and specifications without prior notice. All dimensions should be verified with the factory for current information.

2004

METCRAFT

- I N D U S T R I E S I N C . -