

**4620 BACK SUPPLY    4625 TOP SUPPLY**

## Floor Mounted, Blowout Type

These Toilet Fixtures are designed for high security areas without an accessible pipe chase. The fixtures are fabricated using heavy gauge type 304 stainless steel, seamlessly welded to form a one piece, vandal resistant unit. Internal piping is stainless steel. Exposed surfaces have a satin finish, except for the integral seat which is polished to a bright mirror finish.

## PERFORMANCE

Metcraft bowls and assemblies are designed to withstand 5000 lb. (22kN) loading without permanent deflection and damage. They meet or exceed ASME 112.19.6M for hydraulic performance and ASME 112.19.2M for physical dimensions. The trap will pass a 2 5/8" (67mm) dia. ball. A minimum 1" (25mm) supply providing 25psi (172kPa) flushing pressure is required.

Water Consumption:

With a water saver flush valve - 3.5 gpf (13 liters)

With a low consumption flush valve - 1.6 gpf (6 liters)

## INSTALLATION

The fixtures are supplied with two 3/8" (10mm) dia. mounting holes for securing to the waste flange (waste flange provided by other manufacturers). A floor clip with two 1/2" (13mm) bolts is provided to secure unit. The installer must provide wall openings for piping per rough-in drawings provided by Metcraft.

## RECOMMENDED FLUSH VALVES

	SLOAN	ZURN	DELANY
Concealed water saver	611	Z6611	F540
Concealed low consumption	611-1.5	Z6611-1.5	F540-1.5
Exposed water saver	110	Z6606	F439
Exposed low consumption	111	Z6606-1.5	F439-1.5

NOTE: Plan for service access to concealed flush valve.



Unit may be pictured with some optional features.

## STANDARD FEATURES

- Front mounted, wall outlet waste.
- 4620 back supply connection 1 1/2" (38mm) FIPT.
- 4625 top supply connection 1 1/2" (38mm) MIPT.
- Integral elongated seat.
- Self draining flushing rim.
- Blowout flushing action.
- 3" (76mm) OD toilet waste tube with 5 1/2" (140mm) dia. recessed gasket flange.
- Fully enclosed trap.

## OPTIONS & ACCESSORIES

- A168** Metal template
- HS** Hinged white plastic seat (no cover)
- A720** Wall mounted tissue holder

### MODEL 4625 (TOP SUPPLY)

- A615** Flush valve enclosure

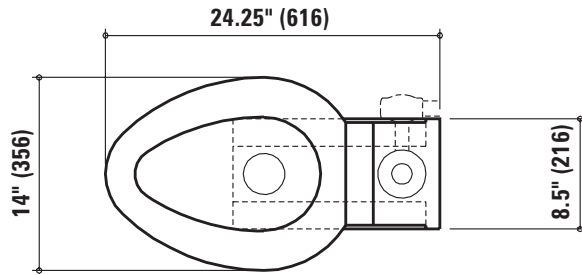
### MODEL 4620 (BACK SUPPLY)

- A611** Flush valve access panel  
15" (381 mm) x 19" (483 mm)

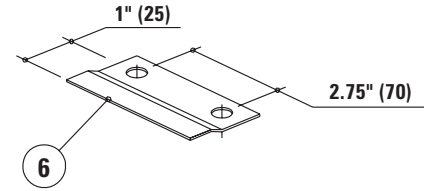
# METCRAFT

INDUSTRIES INC.

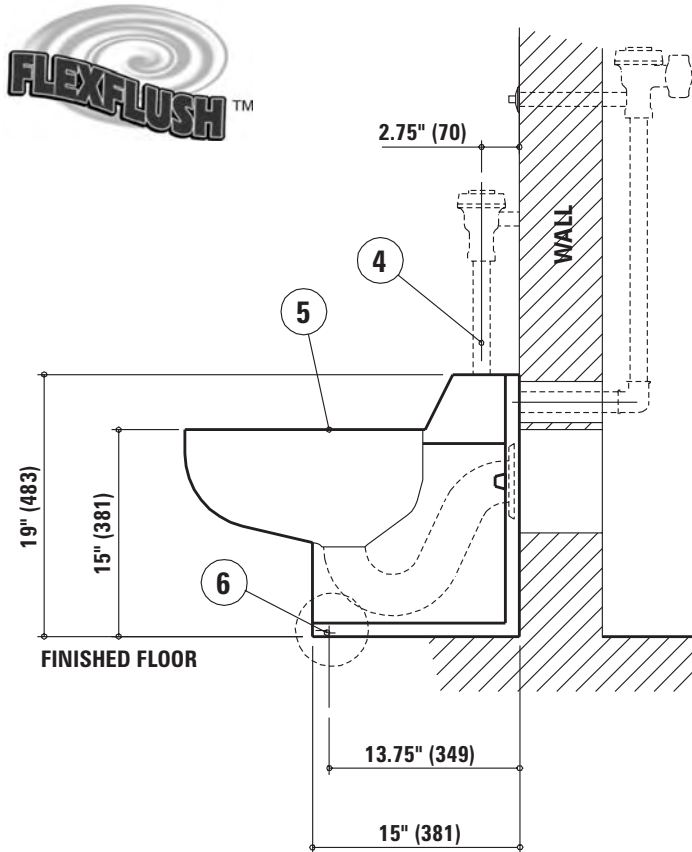
**FIXTURE PLAN VIEW**



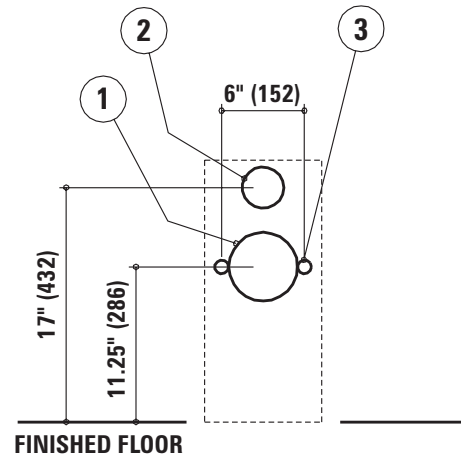
**Z-CLIP ANCHOR DETAIL**



**FIXTURE SIDE VIEW**



**WALL ELEVATION VIEW (fixture side)**



**ROUGH-IN INFORMATION**

- ① Flange location
- ② 3" (76mm) wall opening for 1 1/2" (38mm) FIPT flush supply inlet (model #4620)
- ③ Flange bolt locations
- ④ 1 1/2" (38mm) MIPT top supply inlet (model #4625)
- ⑤ Mirror finish seat
- ⑥ Floor mounted Z-clip

Due to continuous product improvement Metcraft reserves the right to make changes in design and specifications without prior notice. All dimensions should be verified with the factory for current information.

2007

**METCRAFT**

INDUSTRIES INC.