



4160 BACK SUPPLY 4165 TOP SUPPLY

Wall Hung, Siphon Jet Type

These Toilet Fixtures are designed for high security areas with an accessible pipe chase. The fixtures are fabricated using 14-gauge type 304 stainless steel, seamlessly welded to form a one piece, vandal resistant unit. Internal piping is stainless steel. Exposed surfaces are polished to a satin finish, except for the integral seat which is polished to a bright mirror finish.

PERFORMANCE

Metcraft bowls and assemblies are designed to withstand 5000 lb. (22kN) loading without permanent deflection and damage. They meet or exceed ASME 112.19.6M for hydraulic performance and ASME 112.19.2M for physical dimensions. The trap will pass a 2 5/8" (67mm) dia. ball. A minimum 1" (25mm) supply of 25psi (172kPa) flushing pressure is required.

Water Consumption:

With a water saver flush valve - 3.5 gpf (13 liters)

With a low consumption flush valve - 1.6 gpf (6 liters)

INSTALLATION

An accessible pipe chase is required. Six 1/2" (13mm) dia. plated steel anchor rods screw into sockets on back of the fixture. Anchor rods are secured with washer lugs and hex nuts on the chase side of the wall. No exposed fasteners are used. The installer must provide wall openings for anchor rods and piping per rough-in drawings provided by Metcraft. Fixture meets A.D.A. requirements when installed per A.D.A. guidelines.

NOTE: A security frame (wall sleeve) is recommended when installed on a new block (CMU) or poured concrete wall. A security frame is not appropriate for hollow wall construction.

METCRAFT

INDUSTRIES INC.



Unit may be pictured with some optional features.

RECOMMENDED FLUSH VALVES

	SLOAN	ZURN	DELANY
Concealed water saver	952-MBFW	ZH6152-MBFW	1234
Concealed low consumption	952-1.5-MBFW	ZH6152-WS1-MBFW	1234-1.5
Exposed water saver	110	Z6000	439
Exposed low consumption	111	Z6000-1.5	439-1.5

STANDARD FEATURES

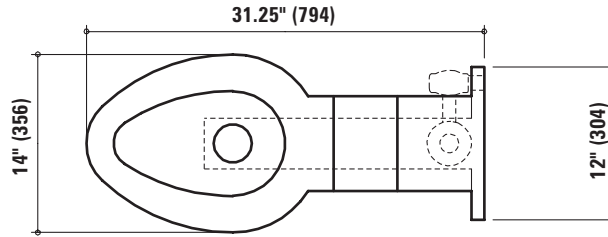
- Plated steel concealed anchor rods and fasteners.
- 4160 back supply connection 1 1/2" (38mm) FIPT.
- 4165 top supply connection 1 1/2" (38mm) MIPT.
- Integral elongated seat.
- Self draining flushing rim.
- Siphon jet trap.
- 3" (76mm) OD toilet waste tube with plain end extended 4" (102mm) past back of fixture for NH type connection.
- Fully enclosed trap.

OPTIONS & ACCESSORIES

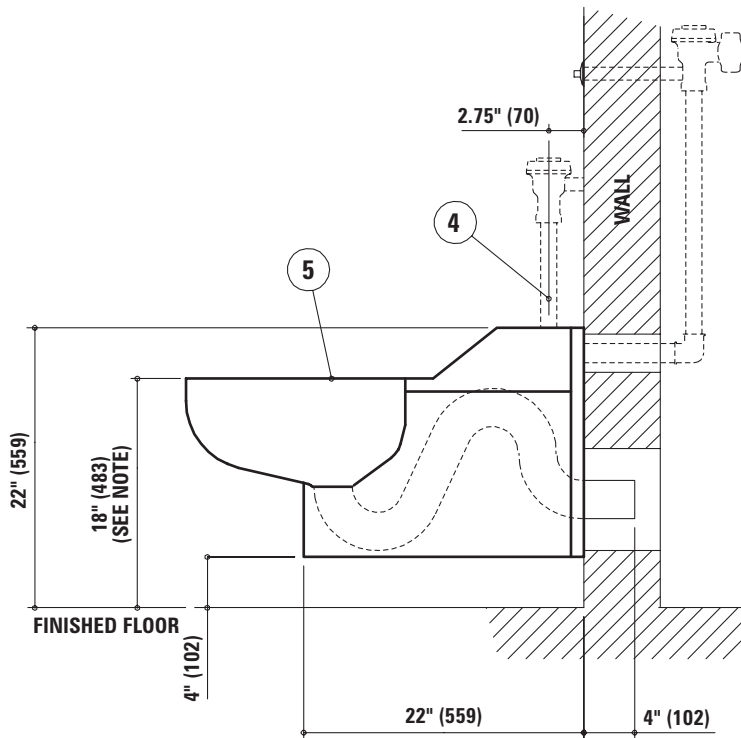
Listing of available options and accessories is located at the back of this section.



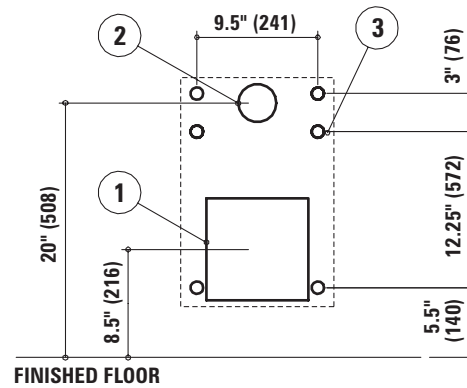
FIXTURE PLAN VIEW



FIXTURE SIDE VIEW



WALL ELEVATION VIEW (fixture side)



ROUGH-IN INFORMATION

- ① 8" x 8" (203mm x 203mm) wall opening for toilet waste connection
- ② 3" (76mm) wall opening for 1 1/2" (38mm) FIPT flush supply inlet (model #4160)
- ③ 1" (25mm) dia. wall openings for anchors (6)
- ④ 1 1/2" (38mm) MIPT top supply inlet (model #4165)
- ⑤ Mirror finish seat

NOTE: Recommended seat height for A.D.A. compliance.

Due to continuous product improvement Metcraft reserves the right to make changes in design and specifications without prior notice. All dimensions should be verified with the factory for current information.

2004

METCRAFT

INDUSTRIES INC.