



## DESCRIPTION

The single station Surface mounted wash console model 1400-4 is used in commercial applications. This unit is a compact wash console. The unit is attached to a mounting box with 1/4"-20 s/s tamper proof screws. Mounting box is secured to wall through obround holes in rear flange. Wall anchors and mounting bolts are Not included. Construction is of 18 and 20 gauge type 304 stainless steel with exposed surfaces polished to a #4 satin finish.

The fixture is 17-1/8" wide x 28" tall x 4" deep.

Sink extends 20-3/4" into room.

## SPECIFICATION

The cabinet and mounting box is 18 gauge type 304 stainless steel.

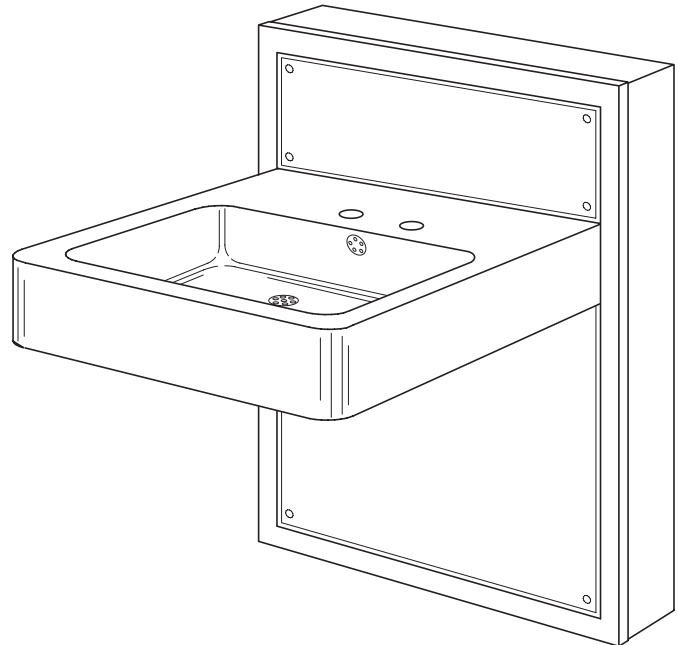
The lavatory is 18 gauge type 304 stainless steel with a #4 satin finish. The bowl is 13-5/8" x 10-1/2" x 5" deep. Grid drain with close elbow and tailpiece. Trap is supplied by installing contractor. Lavatory bowl includes overflow. Faucet is to be furnished by installing contractor unless otherwise directed. Lavatory deck punched per installer's instructions.

Waste enclosure shall be fabricated of 18 gauge type 304 stainless steel. Enclosure conceals lavatory bottom and waste piping. The built-in access panel below the lavatory allows for easy access to the plumbing for the fixture.

Fixture meets A.D.A. requirements when installed per A.D.A. guidelines.

### Notes:

Faucet is supplied and mounted by others.  
Specify hole requirements for faucet.



Unit may be pictured with some optional features.

## STANDARD FEATURES

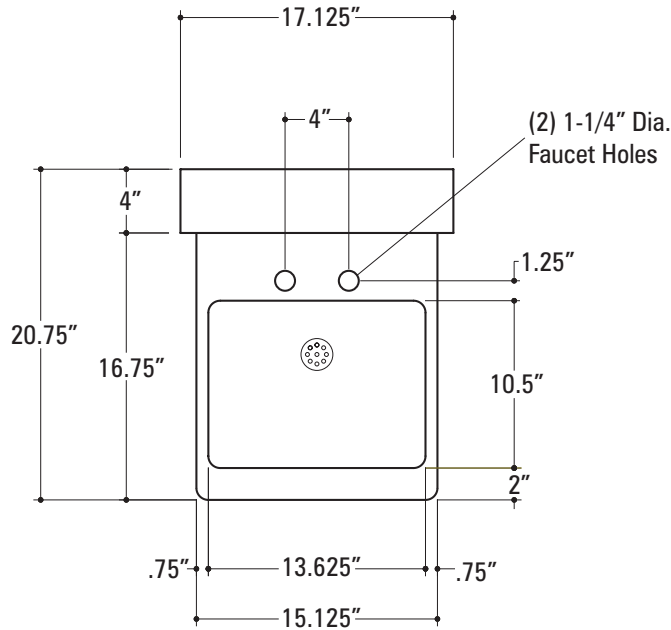
- Stainless steel construction.
- Stainless steel rectangular sink.
- Waste enclosure.
- Access panel.
- Exposed screws are stainless steel tamperproof.

## OPTIONS

**#204-** Concealed Thermostatic mixing valve assembly

# METCRAFT

INDUSTRIES INC.



NOTE: To mount lavatory in accordance with "A.D.A." requirements the rim height must be mounted at 34" (864mm) above finished floor.

