

5681

Public Use Lavatory for Deck Mounted Faucet

This Lavatory is designed for public areas requiring a durable and vandal resistant fixture. The fixture is fabricated using heavy gauge type 304 stainless steel seamlessly welded to form a one piece, vandal resistant unit. The unit is furnished with an integral ribbed soap tray and a 4" (102mm) high back splash. Exposed surfaces have a satin finish. Valves and other trim must be specified separately.

INSTALLATION

The Lavatory is designed for installation on a finished wall using a hanger bracket and bolt holes on back of the fixture. Wall anchors and anchor bolts are not furnished. Piping must be roughed out of wall for connection to lavatory waste and lavatory valve supplies.

STANDARD FEATURES

- Rectangular lavatory basin.
- 1⁵/₈" (41mm) dia. die formed drain opening.
- 4" (102mm) high back splash.
- Integral soap tray with ribbed bottom.
- Deck punched for faucets as required.



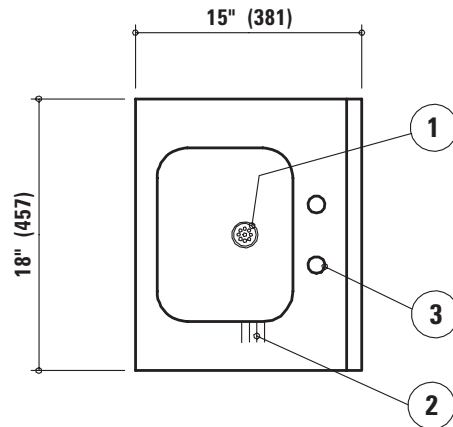
Unit may be pictured with some optional features.

OPTIONS & ACCESSORIES

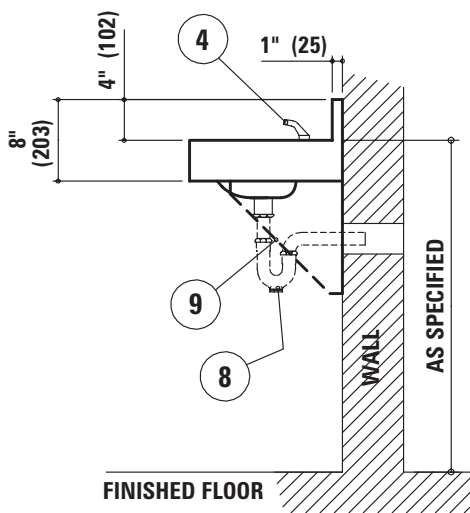
- A270** 1¹/₄" (32mm) OD grid drain
- A306** Chrome plated faucet w/ gooseneck and wrist blades
- A307** Chrome plated faucet
- A775** Stainless steel angle braces
- A780** Wall mounted waste enclosure

METCRAFT
INDUSTRIES INC.

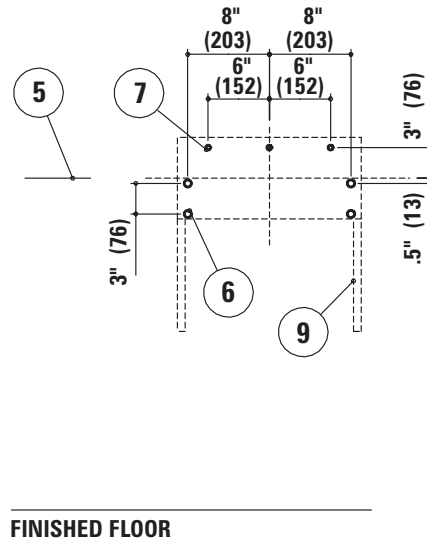
FIXTURE PLAN VIEW



FIXTURE SIDE VIEW



WALL ELEVATION VIEW (fixture side)



ROUGH-IN INFORMATION

- ① 1 5/8" (41mm) dia. die-formed drain opening
- ② Soap dish
- ③ Lavatory faucet punchings
- ④ Optional faucet or customer provided faucet
- ⑤ Lavatory rim location
- ⑥ 5/16" (8mm) dia. holes for anchor locations (4)
- ⑦ Wall bracket holes, 5/16" (8mm) dia. (3)
- ⑧ Optional plumbing components
- ⑨ Optional angled wall brackets

Due to continuous product improvement Metcraft reserves the right to make changes in design and specifications without prior notice. All dimensions should be verified with the factory for current information.

2007



5682

Public Use Lavatory for Deck Mounted Faucet

This Lavatory is designed for public areas requiring a durable and vandal resistant fixture. The fixture is fabricated using heavy gauge type 304 stainless steel seamlessly welded to form a one piece, vandal resistant unit. The unit is furnished with an integral ribbed soap tray and a 4" (102mm) high back splash. Exposed surfaces have a satin finish. Valves and other trim must be specified separately.

INSTALLATION

The lavatory is designed for installation on a finished wall using a hanger bracket and bolt holes on the back of the fixture. Wall anchors and anchor bolts are not furnished. Piping must be roughed out of wall for connection to lavatory waste and lavatory valve supplies.

STANDARD FEATURES

- Rectangular lavatory basin.
- 1⁵/₈" (41mm) dia. die formed drain opening.
- 4" (102mm) high back splash.
- Integral soap tray with ribbed bottom.
- Deck punched for faucets as required.



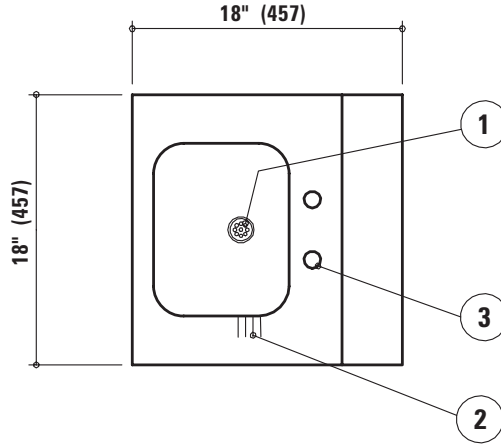
Unit may be pictured with some optional features.

OPTIONS & ACCESSORIES

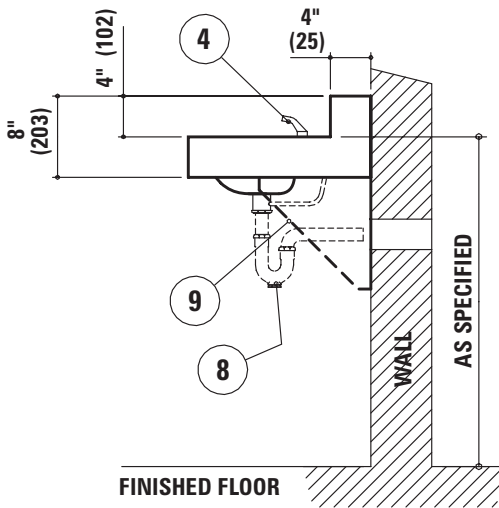
- B5** Deck mounted filler spout
- A270** 1¹/₄" (32mm) OD grid drain
- A306** Chrome plated faucet w/ gooseneck and wrist blades
- A307** Chrome plated faucet
- A311** Single temperature, pneumatic valve
- A312** Hot & cold, pneumatic valve
- A775** Stainless steel angle braces
- A780** Wall mounted waste enclosure

METCRAFT
INDUSTRIES INC.

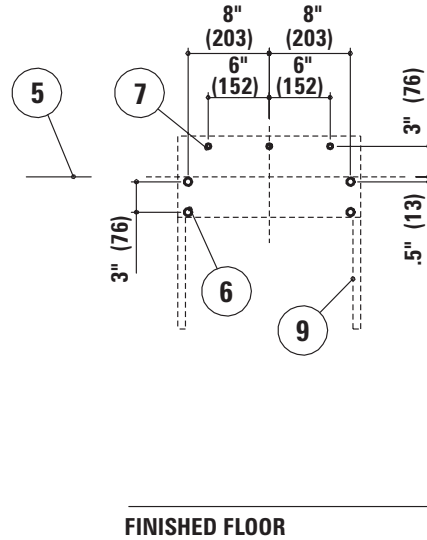
FIXTURE PLAN VIEW



FIXTURE SIDE VIEW



WALL ELEVATION VIEW (fixture side)



ROUGH-IN INFORMATION

- ① 1 5/8" (41mm) dia. die-formed drain opening
- ② Soap dish
- ③ Lavatory faucet punchings
- ④ Optional faucet or customer provided faucet
- ⑤ Lavatory rim location
- ⑥ 5/16" (8mm) dia. holes for anchor locations (4)
- ⑦ Wall bracket holes, 5/16" (8mm) dia. (3)
- ⑧ Optional plumbing components
- ⑨ Optional angled wall brackets

Due to continuous product improvement Metcraft reserves the right to make changes in design and specifications without prior notice. All dimensions should be verified with the factory for current information.

2007





5683

Public Use Lavatory for Deck Mounted Faucet

This Lavatory is designed for public areas requiring a durable and vandal resistant fixture. The lavatory is fabricated using heavy gauge type 304 stainless steel seamlessly welded to form a one piece, vandal resistant unit. The lavatory is furnished with an integral ribbed soap dish and a 4" (102mm) high backsplash. Exposed surfaces have a satin finish. Valves and other trim must be specified separately.

INSTALLATION

The lavatory is designed for installation on a finished wall using a hanger bracket and bolt holes on back of the fixture. Wall anchors and anchor bolts are not furnished. Piping must be roughed out of wall for connection to lavatory waste and lavatory valve supplies.

PERFORMANCE

Fixture meets A.D.A. requirements when installed per A.D.A. guidelines.

STANDARD FEATURES

- Rectangular lavatory basin.
- 1 5/8" (41mm) dia. die formed drain opening.
- Integral ribbed soap tray.
- 4" (102mm) high backsplash.
- Deck punched for faucets as required.



Unit may be pictured with some optional features.

OPTIONS & ACCESSORIES

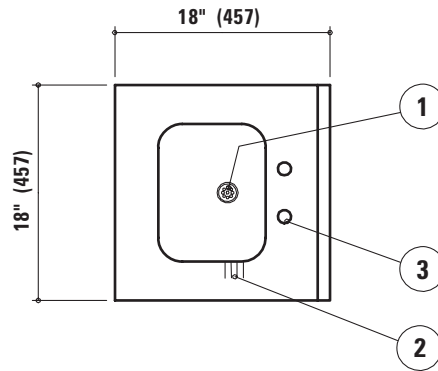
- B5** Deck mounted filler spout
- A270** 1 1/4" (32mm) OD grid drain
- A306** Chrome plated faucet w/ gooseneck and wrist blades
- A307** Chrome plated faucet
- A311** Single temperature, pneumatic valve
- A312** Hot & cold, pneumatic valve
- A775** Stainless steel angle braces
- A780** Wall mounted waste enclosure

METCRAFT

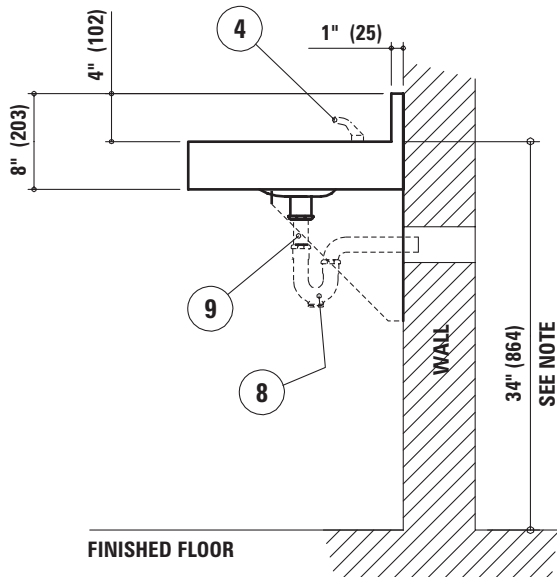
INDUSTRIES INC.



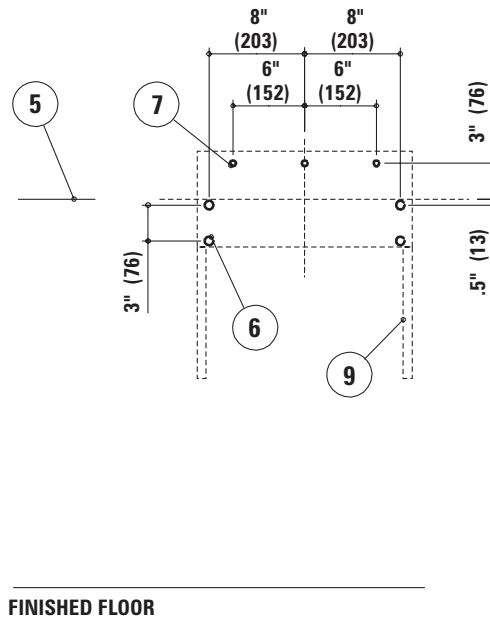
FIXTURE PLAN VIEW



FIXTURE SIDE VIEW



WALL ELEVATION VIEW (fixture side)



ROUGH-IN INFORMATION

- ① 1 5/8" (41mm) dia. die-formed drain opening
- ② Soap dish
- ③ Lavatory faucet punchings
- ④ Optional faucet or customer provided faucet
- ⑤ Lavatory rim location
- ⑥ Anchor locations, 5/16" (8mm) dia. through holes (4)
- ⑦ Wall bracket holes, 5/16" (8mm) dia. (3)
- ⑧ Optional plumbing components
- ⑨ Optional angled wall brackets

NOTE: To mount lavatory in accordance with "A.D.A." requirements the rim height must be mounted at 34" (864mm) above finished floor.

Due to continuous product improvement Metcraft reserves the right to make changes in design and specifications without prior notice. All dimensions should be verified with the factory for current information.

2007





5680

Front Mounted, Security Lavatory

This Front Mounted Security Lavatory is designed for applications without an accessible pipe chase. The fixture is fabricated using heavy gauge type 304 stainless steel seamlessly welded to form a vandal resistant unit. The bottom panel is removable and is secured in place with stainless steel vandal resistant screws. Valves are normally installed inside the fixture body and the bubbler spout is plumbed from the back splash into the fixture cavity.

INSTALLATION

The installer must rough in piping to locations shown on drawings provided by Metcraft. Wall anchors must be embedded in the wall at locations shown on the drawings. A hanger bracket is provided for supporting fixture at top of back splash. Bolts provided with fixture 1/2" (13mm) dia. secure the fixture to the embedded wall anchors. Plumbing connections are made through the bottom of the fixture with the access panel removed. Fixture meets A.D.A. requirements when installed per A.D.A. guidelines.

STANDARD FEATURES

- Rectangular basin with multi-hole fast drain.
- Integral ribbed soap tray.
- 4" (102mm) high backsplash.
- Penal filler/bubbler.
- 1 1/2" (38mm) OD slip joint P-trap.
- Dual temperature pushbutton pneumatic metering valve



Unit may be pictured with some optional features.

OPTIONS & ACCESSORIES

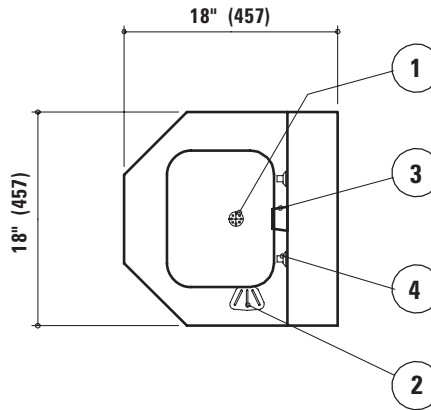
A168	Metal template
B1	Penal filler/bubbler
B2	Penal filler/bubbler w/mouthguard
B3	Filler only
OB	Oval basin
A311	Single temperature, pneumatic valve
A312	Hot & cold, pneumatic valve
HT	Single tension release towel hook
TB	Toothbrush holder

METCRAFT

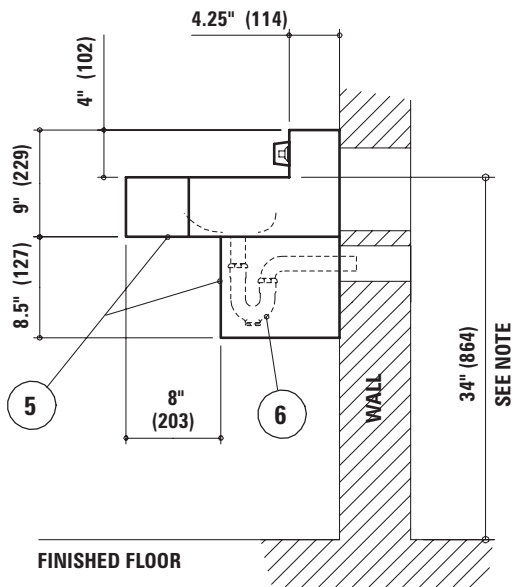
- I N D U S T R I E S I N C . -



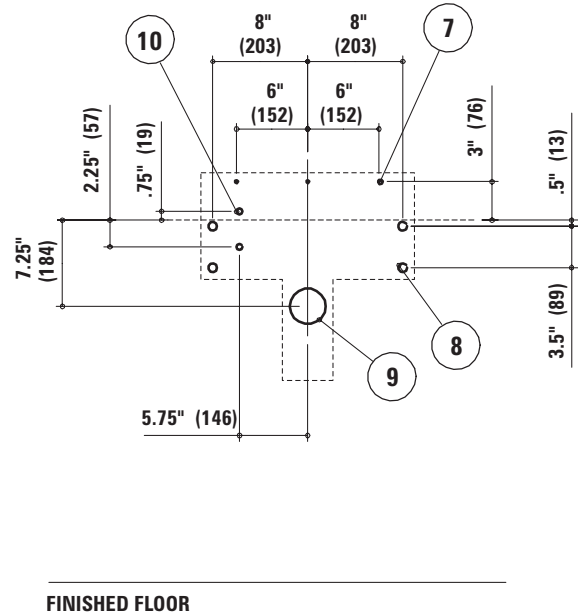
FIXTURE PLAN VIEW



FIXTURE SIDE VIEW



WALL ELEVATION VIEW (fixture side)



ROUGH-IN INFORMATION

- ① Fast drain
- ② Soap dish
- ③ Penal filler/bubbler
- ④ Hot and cold valve pushbuttons
- ⑤ Tamper resistant removable bottom
- ⑥ P-trap
- ⑦ Wall bracket holes, 5/16" (8mm) dia. (3)
- ⑧ Anchor locations with 1/2" (13mm) wall fasteners (4)
- ⑨ Lavatory sink waste outlet
- ⑩ Valve water supply connection 3/8" (10mm) NCT

NOTE: To mount lavatory in accordance with "A.D.A." requirements the rim height must be mounted at 34" (864mm) above finished floor.

Due to continuous product improvement Metcraft reserves the right to make changes in design and specifications without prior notice. All dimensions should be verified with the factory for current information.

2007

