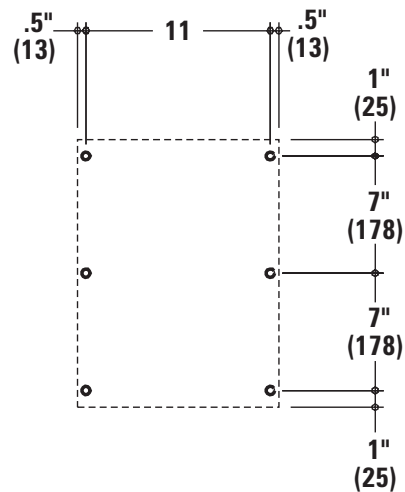
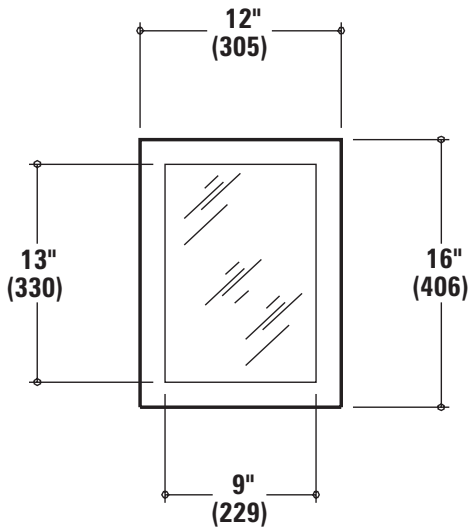
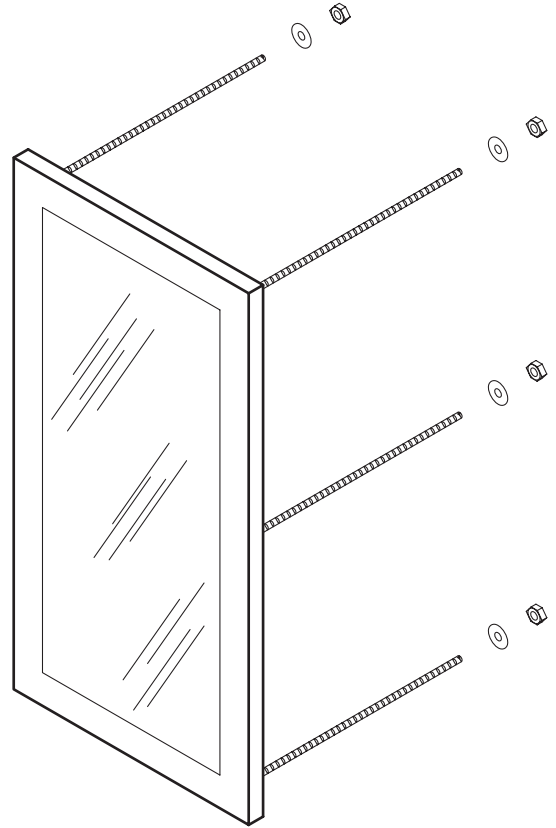


A750 Rear Mounted Mirror

The A750 rear mounted mirror is designed for installation in high security penal institutions. Construction is of 14 gauge type 304 stainless steel with a satin finish frame, mirror is 14 gauge type 304 stainless steel with a polished #8 mirror finish. Designed for a through-the-wall mounting, six 1/4"-20 anchor rods with nuts and washers are provided. Installer must provide holes in the wall for anchor rods per the rough-in drawings. The mirror is 12" (305mm) x 16" (406mm).

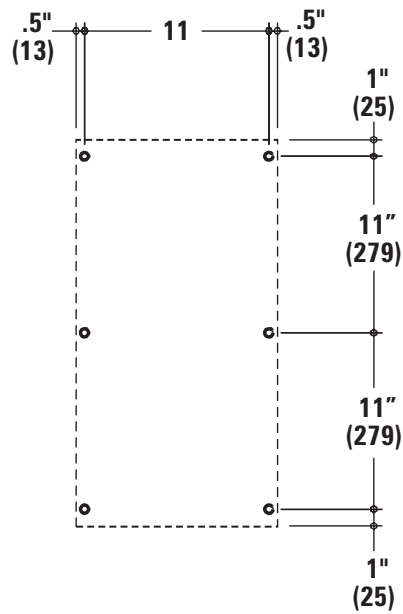
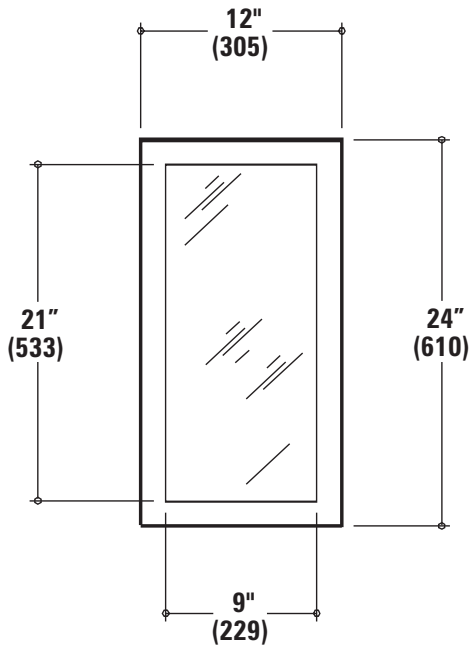
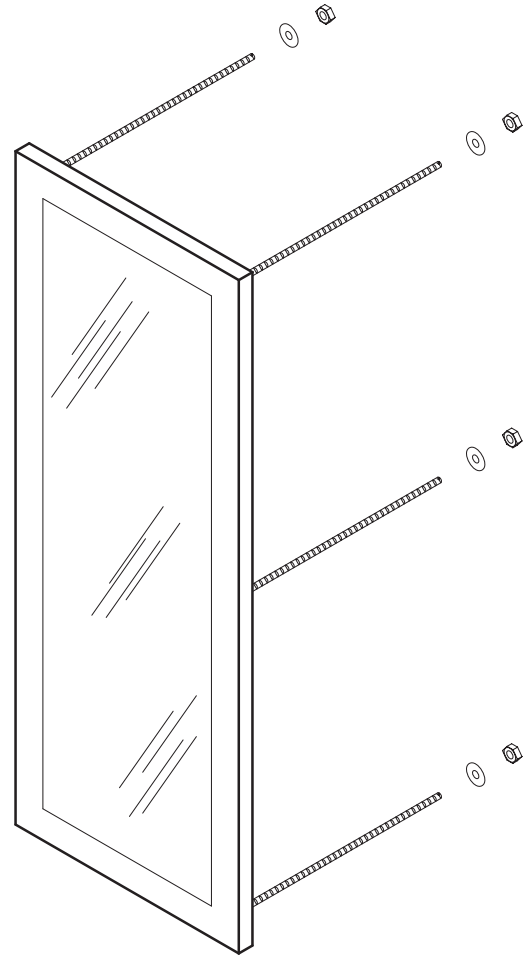
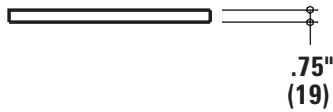


METCRAFT

INDUSTRIES INC.

A751 Rear Mounted Mirror ADA

The A751 rear mounted mirror is designed for installation in high security penal institutions. Construction is of 14 gauge type 304 stainless steel with a satin finish frame, mirror is 14 gauge type 304 stainless steel with a polished #8 mirror finish. Designed for a through-the-wall mounting, six 1/4"-20 anchor rods with nuts and washers are provided. Installer must provide holes in the wall for anchor rods per the rough-in drawings. The mirror is 12" (305mm) x 24" (610mm).

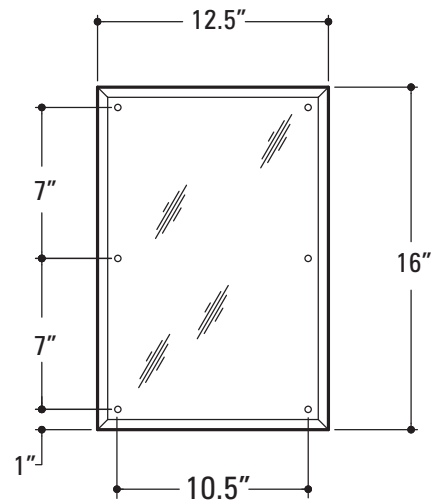
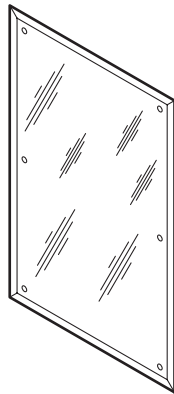


METCRAFT

INDUSTRIES INC.

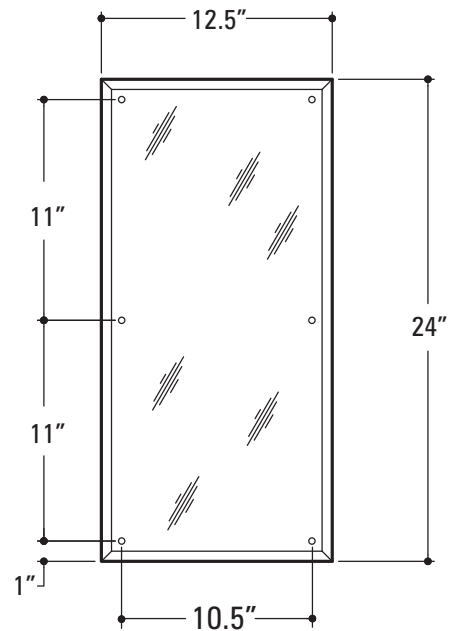
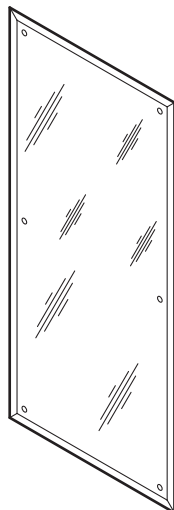
A752 Front Mounted Mirror

The A752 front mounted mirror is designed for installation in parks, roadside rest facilities, penal and mental institutions. Construction is of 18 gauge type 304 stainless steel with a polished #8 mirror finish. Supplied with (6) 1/4"-20 x 1" (25mm) long stainless steel vandal resistant screws. The mirror is 12-1/2" (318mm) x 16" (406mm).



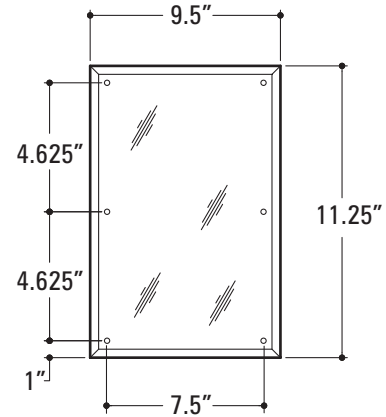
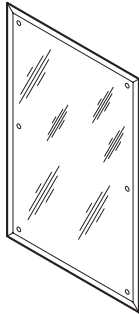
A753 Front Mounted Mirror ADA

The A753 front mounted mirror is designed for installation in parks, roadside rest facilities, penal and mental institutions. Construction is of 18 gauge type 304 stainless steel with a polished #8 mirror finish. Supplied with (6) 1/4"-20 x 1" (25mm) long stainless steel vandal resistant screws. The mirror is 12-1/2" (318mm) x 24" (610mm).



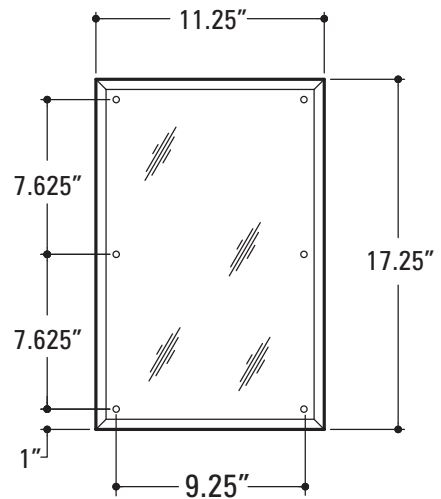
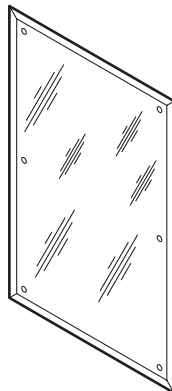
A754 Front Mounted Mirror

The A754 front mounted mirror is designed for installation in parks, roadside rest facilities, penal and mental institutions. Construction is of 18 gauge type 304 stainless steel with a polished #8 mirror finish. Supplied with (6) 1/4"-20 x 1" (25mm) long stainless steel vandal resistant screws. The mirror is 9-1/2" (241mm) x 11-1/4" (286mm).



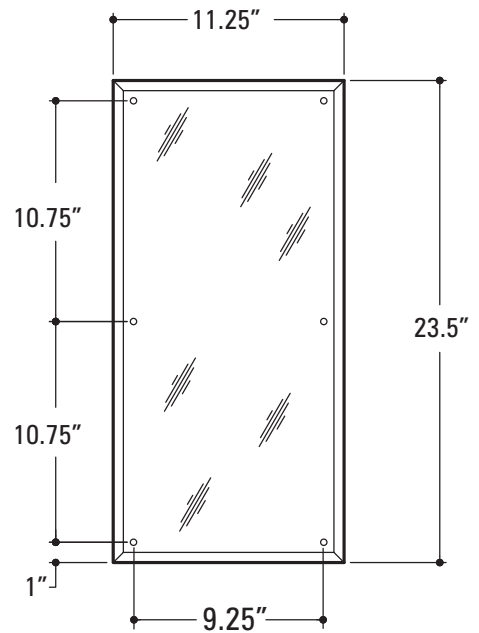
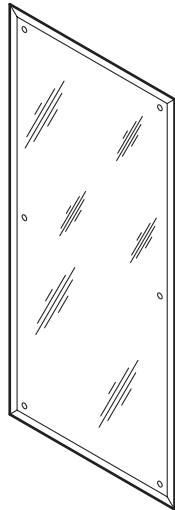
A755 Front Mounted Mirror ADA

The A755 front mounted mirror is designed for installation in parks, roadside rest facilities, penal and mental institutions. Construction is of 18 gauge type 304 stainless steel with a polished #8 mirror finish. Supplied with (6) 1/4"-20 x 1" (25mm) long stainless steel vandal resistant screws. The mirror is 11-1/4" (286mm) x 17-1/4" (438mm).



A756 Front Mounted Mirror ADA

The A756 front mounted mirror is designed for installation in parks, roadside rest facilities, penal and mental institutions. Construction is of 18 gauge type 304 stainless steel with a polished #8 mirror finish. Supplied with (6) 1/4"-20 x 1" (25mm) long stainless steel vandal resistant screws. The mirror is 11-1/4" (286mm) x 23-1/2" (597mm).



A757 Front Mounted Mirror Custom

The A757 front mounted mirror is designed for installation in parks, roadside rest facilities, penal and mental institutions. Construction is of 18 gauge type 304 stainless steel with a polished #8 mirror finish. Supplied with (6) 1/4"-20 x 1" (25mm) long stainless steel vandal resistant screws. The mirror is built to custom sizes per customer specifications.

