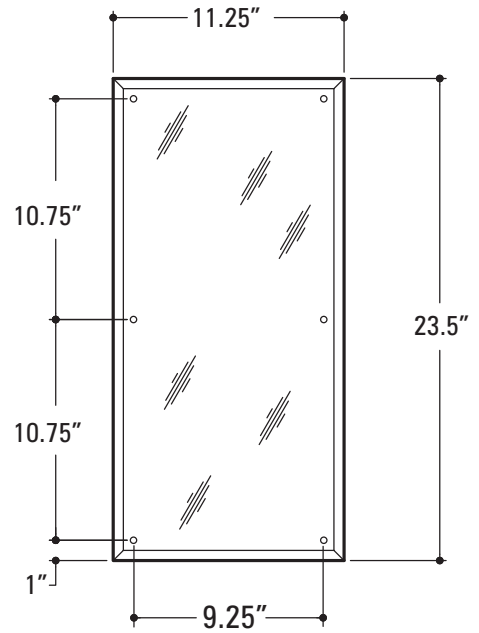
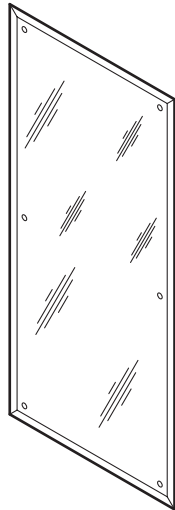


**A756 Front Mounted Mirror ADA**

The A756 front mounted mirror is designed for installation in parks, roadside rest facilities, penal and mental institutions. Construction is of 18 gauge type 304 stainless steel with a polished #8 mirror finish. Supplied with (6) 1/4"-20 x 1" (25mm) long stainless steel vandal resistant screws. The mirror is 11-1/4" (286mm) x 23-1/2" (597mm).



**A757 Front Mounted Mirror Custom**

The A757 front mounted mirror is designed for installation in parks, roadside rest facilities, penal and mental institutions. Construction is of 18 gauge type 304 stainless steel with a polished #8 mirror finish. Supplied with (6) 1/4"-20 x 1" (25mm) long stainless steel vandal resistant screws. The mirror is built to custom sizes per customer specifications.

