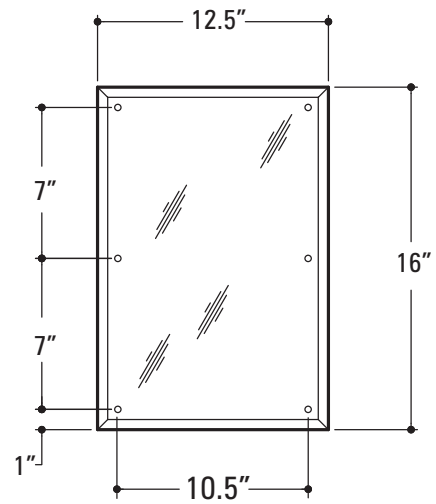
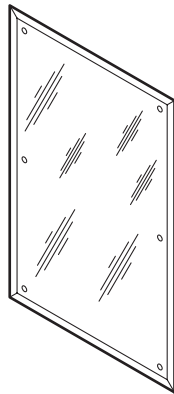


A752 Front Mounted Mirror

The A752 front mounted mirror is designed for installation in parks, roadside rest facilities, penal and mental institutions. Construction is of 18 gauge type 304 stainless steel with a polished #8 mirror finish. Supplied with (6) 1/4"-20 x 1" (25mm) long stainless steel vandal resistant screws. The mirror is 12-1/2" (318mm) x 16" (406mm).



A753 Front Mounted Mirror ADA

The A753 front mounted mirror is designed for installation in parks, roadside rest facilities, penal and mental institutions. Construction is of 18 gauge type 304 stainless steel with a polished #8 mirror finish. Supplied with (6) 1/4"-20 x 1" (25mm) long stainless steel vandal resistant screws. The mirror is 12-1/2" (318mm) x 24" (610mm).

