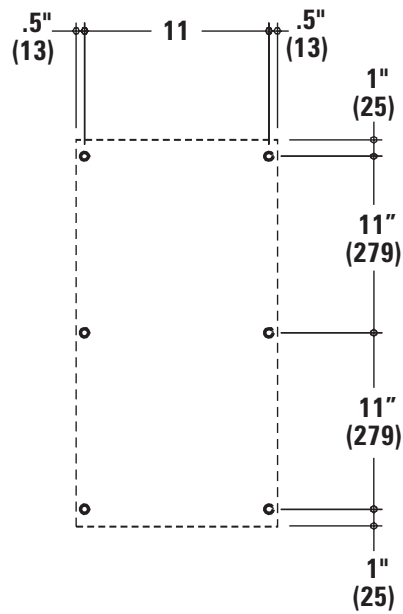
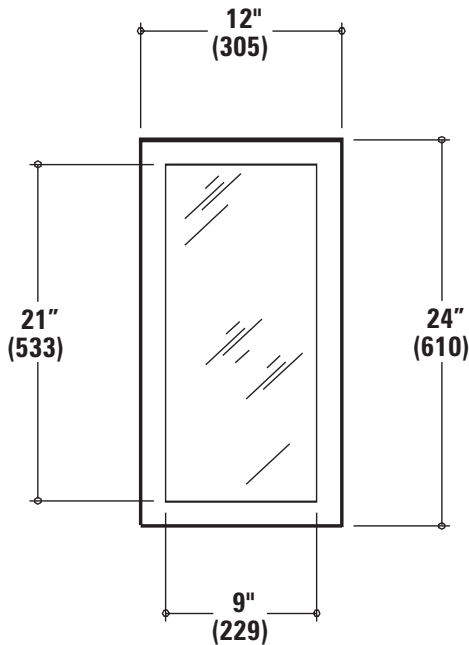
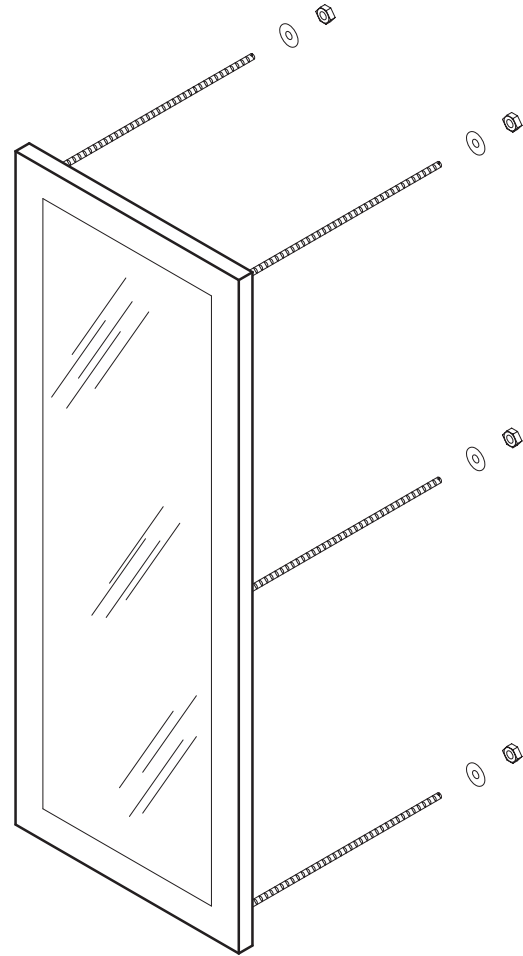


A751 Rear Mounted Mirror ADA

The A751 rear mounted mirror is designed for installation in high security penal institutions. Construction is of 14 gauge type 304 stainless steel with a satin finish frame, mirror is 14 gauge type 304 stainless steel with a polished #8 mirror finish. Designed for a through-the-wall mounting, six 1/4"-20 anchor rods with nuts and washers are provided. Installer must provide holes in the wall for anchor rods per the rough-in drawings. The mirror is 12" (305mm) x 24" (610mm).



METCRAFT

INDUSTRIES INC.