



5683

Public Use Lavatory for Deck Mounted Faucet

This Lavatory is designed for public areas requiring a durable and vandal resistant fixture. The lavatory is fabricated using heavy gauge type 304 stainless steel seamlessly welded to form a one piece, vandal resistant unit. The lavatory is furnished with an integral ribbed soap dish and a 4" (102mm) high backsplash. Exposed surfaces have a satin finish. Valves and other trim must be specified separately.

INSTALLATION

The lavatory is designed for installation on a finished wall using a hanger bracket and bolt holes on back of the fixture. Wall anchors and anchor bolts are not furnished. Piping must be roughed out of wall for connection to lavatory waste and lavatory valve supplies.

PERFORMANCE

Fixture meets A.D.A. requirements when installed per A.D.A. guidelines.

STANDARD FEATURES

- Rectangular lavatory basin.
- 1 5/8" (41mm) dia. die formed drain opening.
- Integral ribbed soap tray.
- 4" (102mm) high backsplash.
- Deck punched for faucets as required.



Unit may be pictured with some optional features.

OPTIONS & ACCESSORIES

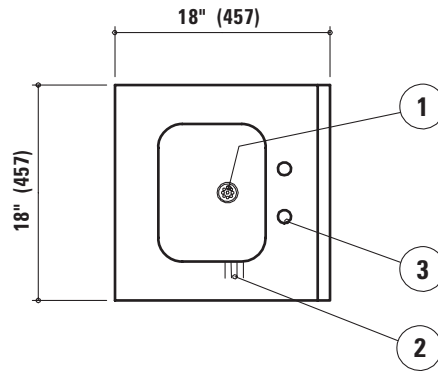
- B5** Deck mounted filler spout
- A270** 1 1/4" (32mm) OD grid drain
- A306** Chrome plated faucet w/ gooseneck and wrist blades
- A307** Chrome plated faucet
- A311** Single temperature, pneumatic valve
- A312** Hot & cold, pneumatic valve
- A775** Stainless steel angle braces
- A780** Wall mounted waste enclosure

METCRAFT

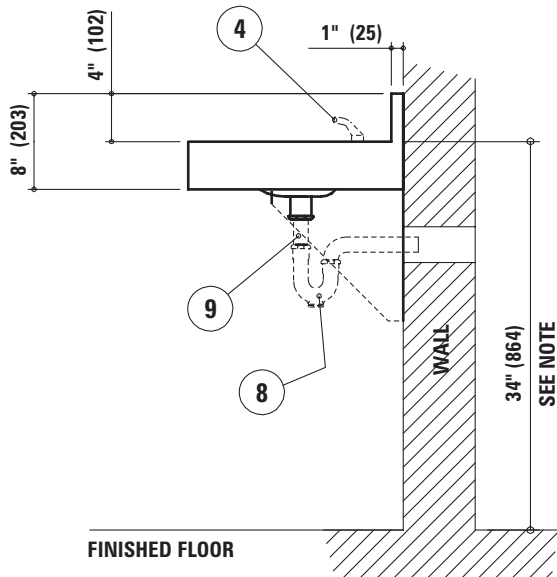
INDUSTRIES INC.



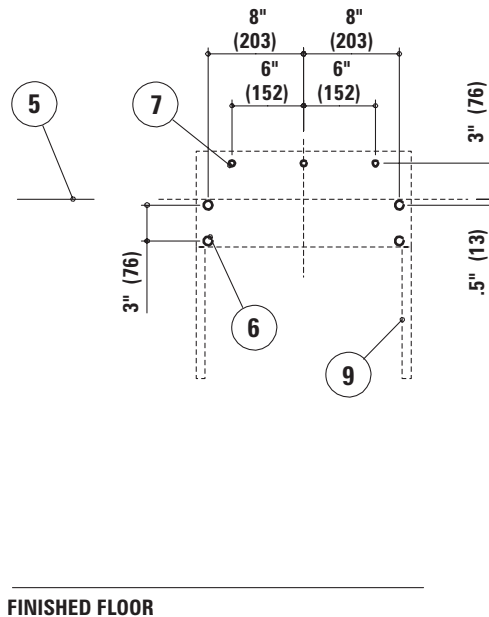
FIXTURE PLAN VIEW



FIXTURE SIDE VIEW



WALL ELEVATION VIEW (fixture side)



ROUGH-IN INFORMATION

- ① 1 5/8" (41mm) dia. die-formed drain opening
- ② Soap dish
- ③ Lavatory faucet punchings
- ④ Optional faucet or customer provided faucet
- ⑤ Lavatory rim location
- ⑥ Anchor locations, 5/16" (8mm) dia. through holes (4)
- ⑦ Wall bracket holes, 5/16" (8mm) dia. (3)
- ⑧ Optional plumbing components
- ⑨ Optional angled wall brackets

NOTE: To mount lavatory in accordance with "A.D.A." requirements the rim height must be mounted at 34" (864mm) above finished floor.

Due to continuous product improvement Metcraft reserves the right to make changes in design and specifications without prior notice. All dimensions should be verified with the factory for current information.

2007

