

## DESCRIPTION

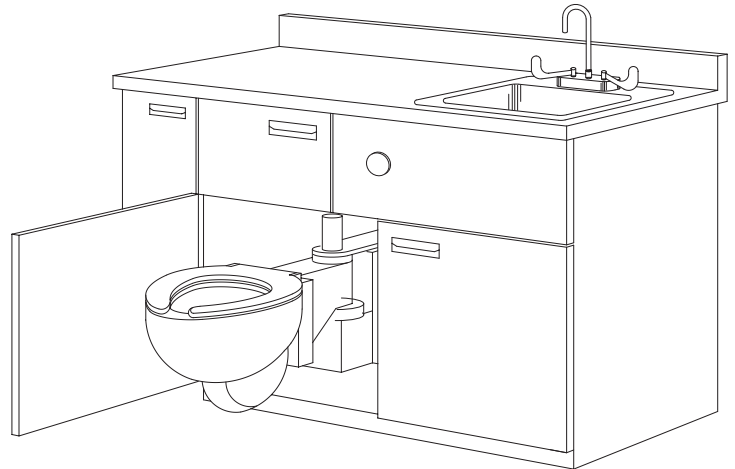
The Swing-A-Way model 9530-Series is a patient care unit designed to provide a toilet, lavatory and bed pan washer combination in a compact bedside fixture. The stainless steel cabinet and toilet assembly is highly sanitary and easy to clean. The heavy duty stainless steel construction throughout the unit provides for a highly reliable unit requiring little maintenance. The toilet assembly incorporates a heavy duty, stainless steel pivot assembly that allows the toilet bowl to be concealed inside the cabinet when the toilet is not in use. The toilet can be flushed at any point along its pivotal arc.

## SPECIFICATION

The fixture is constructed with heavy gauge, type 304 stainless steel frame. The cabinet has hinged doors and panels available in standard laminated colors from Formica<sup>(R)</sup>, WilsonArt<sup>(R)</sup> or Nevamar<sup>(R)</sup>. The cabinet interior is all stainless steel providing a highly sanitary unit that is easy to clean. The cabinet can be adjusted to compensate for imperfections in the finished floor.

The standard laminated countertop has a 3-1/2" backsplash, bull nose front edge and is furnished with a stainless steel lavatory basin.

The toilet assembly is all stainless steel with a dual (top and bottom) ball bearing pivot assembly. This assembly incorporates a positive water tight chemical seal that will withstand 2500 pounds static vertical load with no permanent damage. The water inlet is a stainless steel machined swivel connection mounted on the ball bearing raceway. The floor mounting plate is constructed of thick stainless steel plate that will never distort or rust if properly maintained.



Unit may be pictured with some optional features.

Left Hand Unit is pictured. Right Hand opposite of shown.

## STANDARD FEATURES

- Hydraulic flush valve.
- Storage cabinet with hinged door above toilet.
- Hinged panel for access to plumbing.
- Tissue holder installed inside door.
- Stainless steel rectangular sink.
- Polished brass grid strainer.
- Commercial quality P-trap for lavatory.
- Solid plastic white hinged toilet seat-open front.
- Faucet with gooseneck spout and index wrist bladed handles.
- Bed pan washer with volume control stop.

## OPTIONS

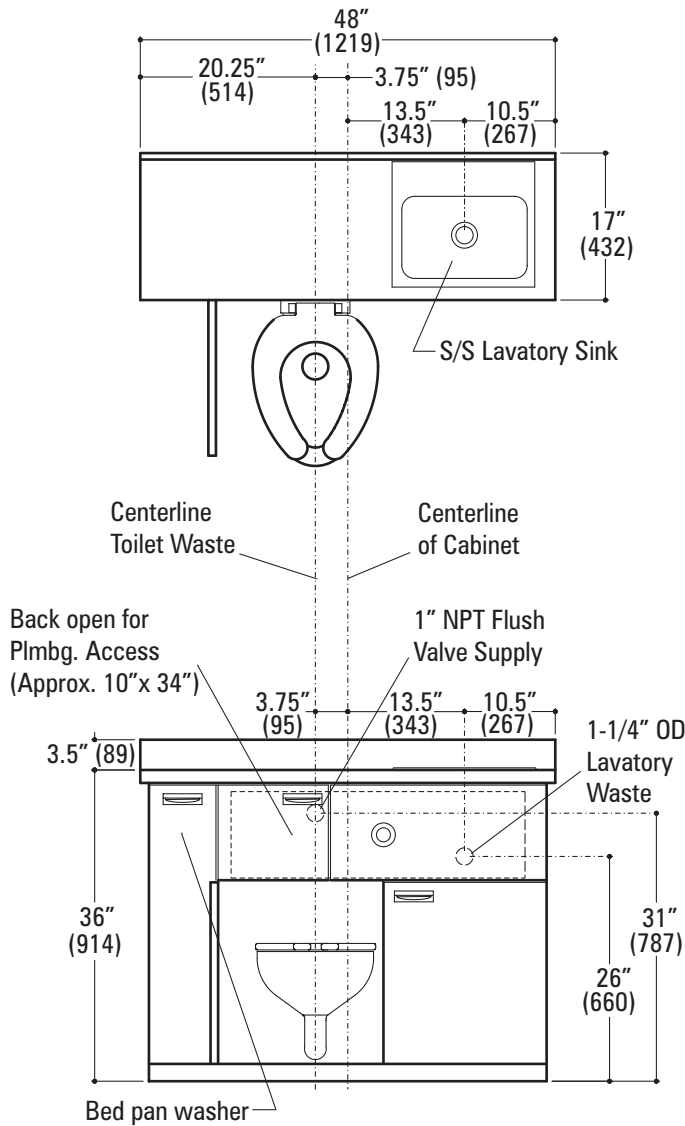
- Pneumatic H&C lavatory valve (POV)
- Foot pedal operated faucet (FOV)
- Single valve dialysis box (DB-1)
- Dual valve dialysis box (DB-2)
- Laminar flow aerator on gooseneck (AER)
- Sensor operated faucet (SOV)
- Stainless steel counter top (SST)
- Storage shelf (SSH)
- Metal template (A-199/1210 L/R)
- Wall mounted vacuum breaker (WVB)

# METCRAFT

- I N D U S T R I E S I N C . -

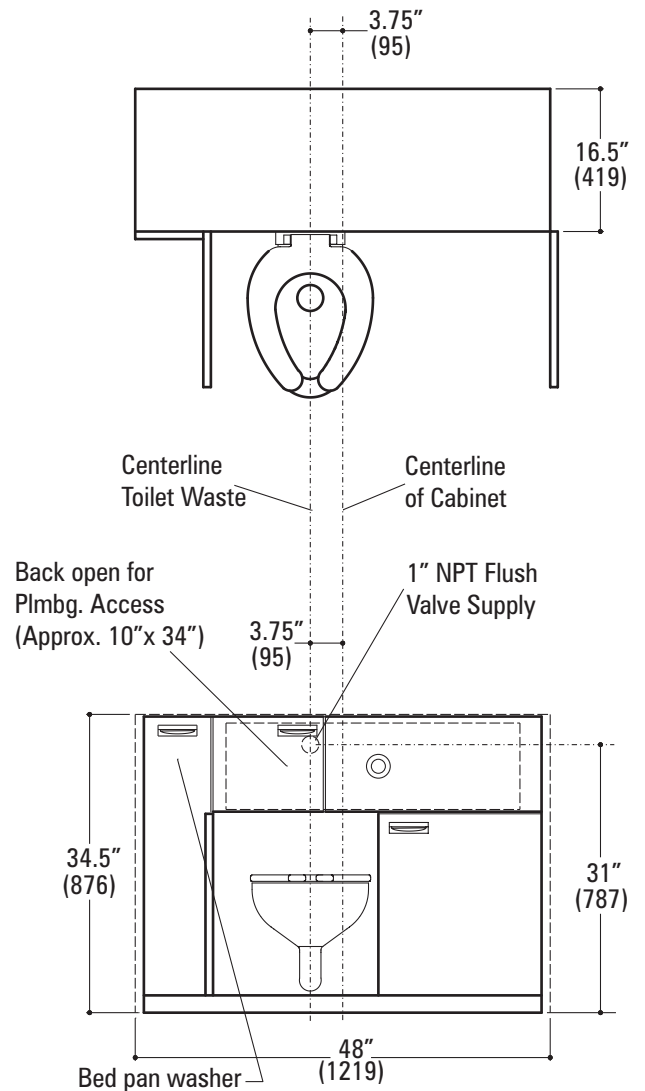
| Models              | Wall Outlet | Floor Outlet |
|---------------------|-------------|--------------|
| Free Standing Units | 9530-L/R    | 9535-L/R     |
| Built-In Units      | 9531-L/R    | 9536-L/R     |

### FREE STANDING UNITS (9530-L/R, 9535-L/R)



Left Hand Unit is pictured. Right Hand opposite of shown.

### BUILT-IN UNITS (9531-L/R, 9536-L/R)



Left Hand Unit is pictured. Right Hand opposite of shown.

# METCRAFT

INDUSTRIES INC.