

DESCRIPTION

The single station scrub sink model 9111-1 is a stainless steel surgeon scrub-up sink used in the health care industry. This unit is a front mounted unit and is operated using a sensor faucet for hands free washing. The front access panel allows for easy care and maintenance.

SPECIFICATION

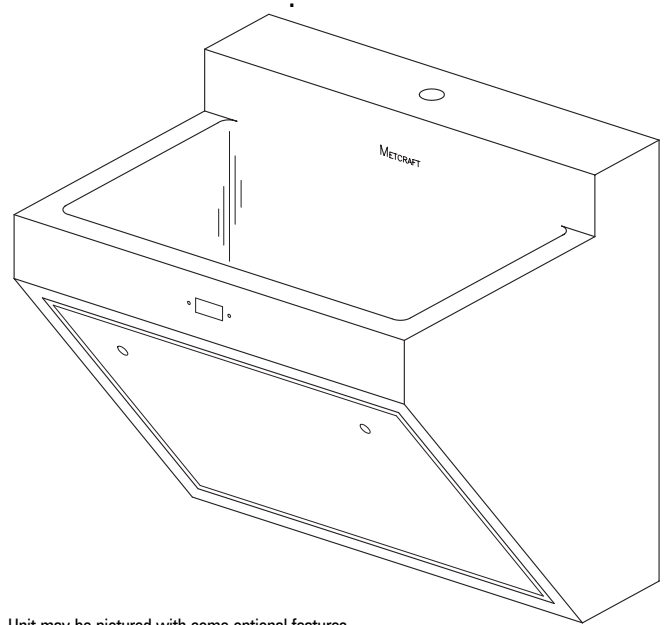
This fixture is constructed using heavy gauge, type 304 stainless steel. The sink's front is sloped to minimize splashing. The unit is seamlessly welded and polished to a #3 satin finish. The interior of the sink is coated with a sound deadening, fire resistant material. It has a removable front access panel that allows for easy maintenance. This fixture is front mounted with a standard "Z" bar mounting clip. Four additional mounting holes inside the cabinet secure the fixture to the wall.

The waste connection includes a beehive strainer and P-trap to drain the unit.

This unit comes standard with a gooseneck spout and sensor operated faucet. This faucet allows for easy hands free washing. The faucet incorporates a 12 volt solenoid valve complete with an in-line filter. The faucet is constructed from brass with polished chrome exterior trim. The sensor has an adjustable range on approach.

STANDARD FEATURES

- Heavy duty stainless steel construction
- Sink front is sloped to minimize splashing
- Front access panel for easy maintenance
- Interior coated with sound dampening and fire resistant material
- Beehive strainer and P-trap
- 12 volt sensor operated faucet



Unit may be pictured with some optional features.

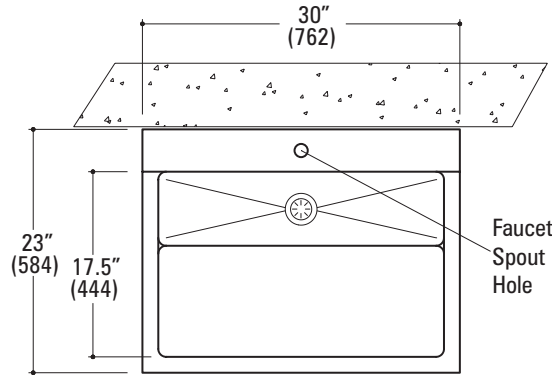
OPTIONS

- TMX Thermostatic Mixing Valve
- LFC Laminar Flow Control for Spout

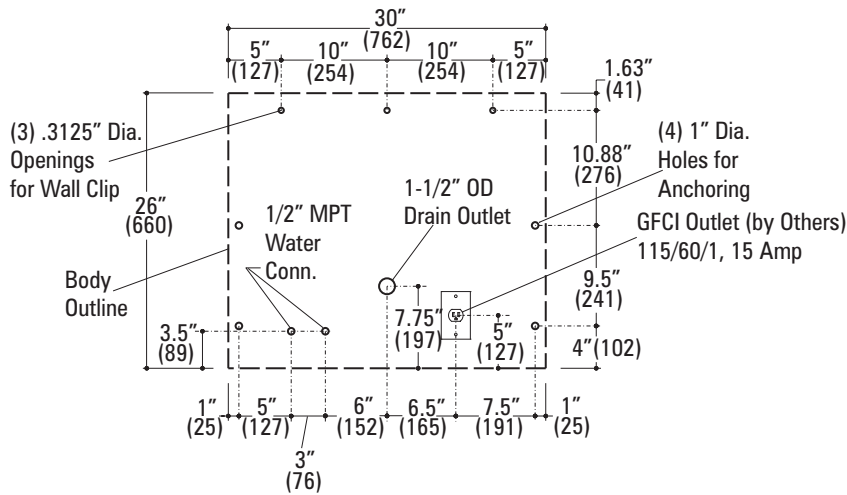
METCRAFT

INDUSTRIES INC.

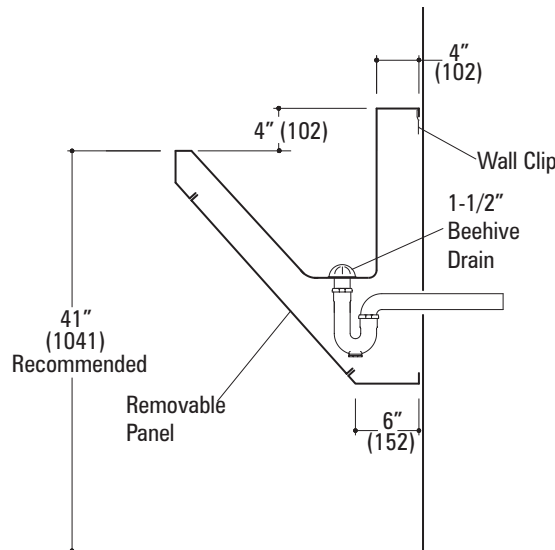
FIXTURE PLAN VIEW



WALL ELEVATION VIEW (fixture side)



FIXTURE SIDE VIEW



Due to continuous product improvement Metcraft reserves the right to make changes in design and specifications without prior notice. All dimensions should be verified with the factory for current information.

5/2004

