

## DESCRIPTION

The A640 series hose boxes are fully recessed stainless steel boxes designed for use in commercial settings. The construction provides a very durable unit.

## SPECIFICATION

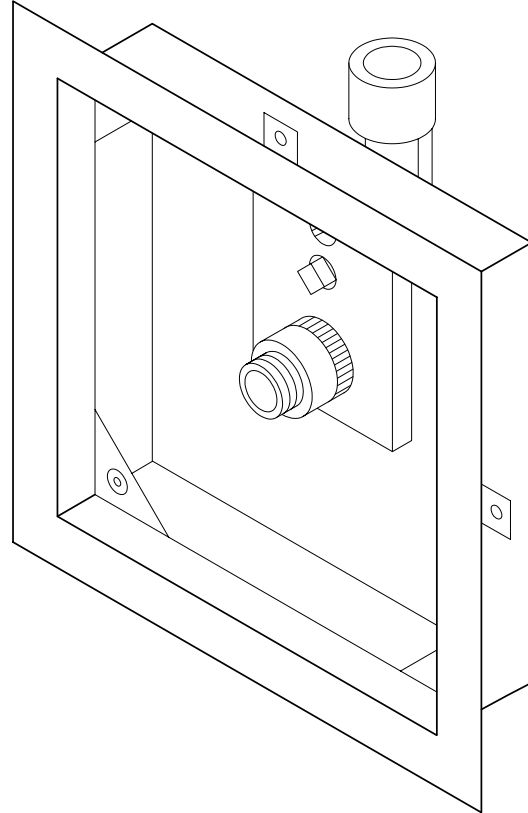
The A640 series hose box is a fully recessed box constructed of 18 ga type 304 stainless steel. A 16 ga type 304 stainless steel flange and optional door are secured to box using four vandal resistant screws. Anchor tabs are used to secure box to wall. Interior finish is sand blasted, flange and optional door are polished to #4 satin finish. Cast bronze keyed valves with integral stops are provided. Valve inlet is 3/4" FIPT. Valve outlet is 3/4" male hose thread with vacuum breaker.

## MODEL OFFERING

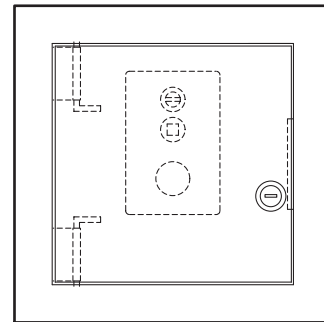
- A640 Single Valve, No Door
- A641 Double Valve, No Door
- A642 Single Valve, With Door and Keyed Lock
- A643 Double Valve, With Door and Keyed Lock

## STANDARD FEATURES

- Fabricated using 18-gauge type 304 stainless steel.
- Flange and door are 16-gauge type 304 stainless steel.
- Cast bronze keyed valves with integral stop.
- Key for valves Supplied.
- Supply inlets 3/4" FIPT.
- Hose outlets 3/4" male hose thread with vacuum breaker.



Unit may be pictured with some optional features.

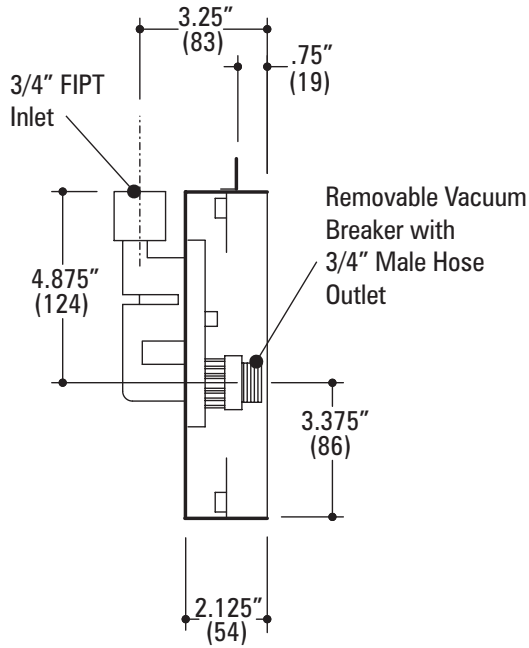


**Door for Models #A642 & A643 Shown**  
Supplied with Keyed Lock & Spring Hinge

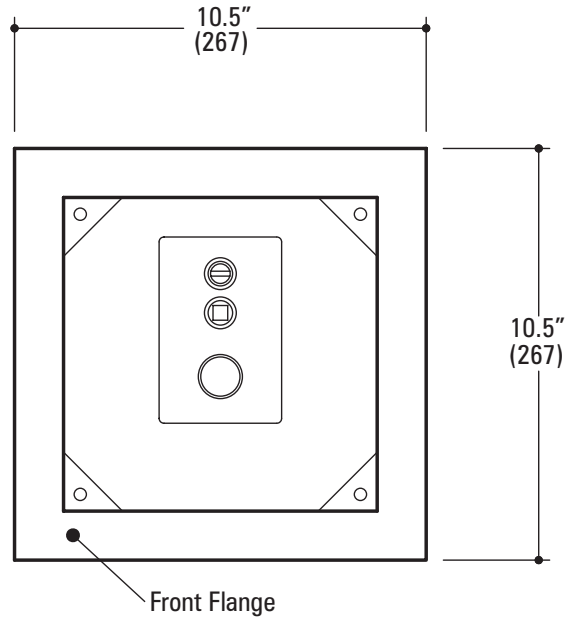
# METCRAFT

INDUSTRIES INC.

**SIDE SECTION VIEW**



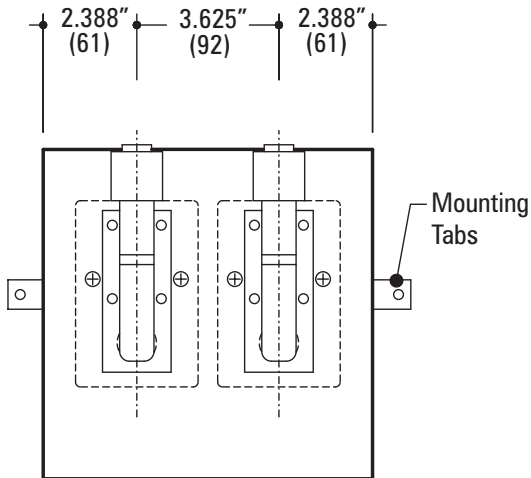
**FRONT VIEW**



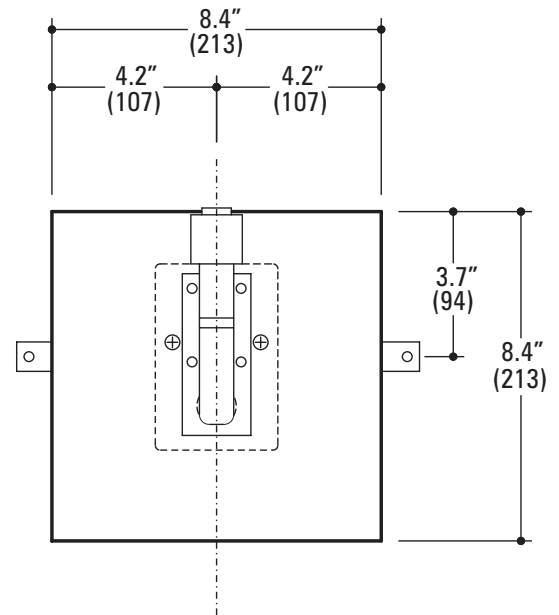
**KEY SUPPLIED FOR VALVE**



**BACK VIEW (Flange removed)**  
A641 & A643



**BACK VIEW (Flange removed)**  
A640 & A642



Due to continuous product improvement Metcraft reserves the right to make changes in design and specifications without prior notice. All dimensions should be verified with the factory for current information.

2/2004

# METCRAFT

INDUSTRIES INC.