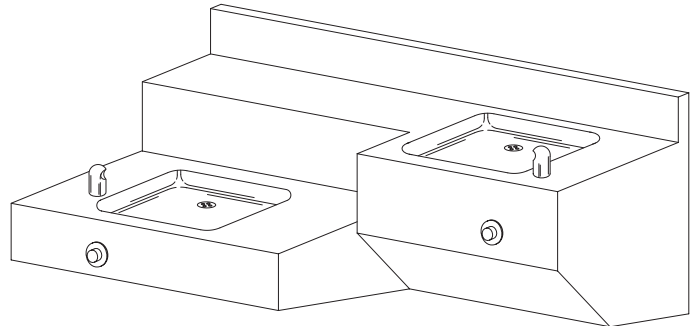




DESCRIPTION

The two station dual height drinking fountain model 5695 is used in commercial applications. This unit is designed to accommodate handicap and regular use. Construction is of heavy gauge type 304 stainless steel with exposed surfaces polished to a #4 satin finish. The bottom enclosure plates are removable and secured with stainless steel tamper resistant screws. Fixture is furnished with two security type chrome plated brass bubbler heads, pneumatic pushbutton control valves with .5 GPM flow control. Valves are installed inside fixture. The fixture is 42" wide x 19" deep x 18.5" tall. Pushbuttons require less than 5 lbs (2.2N) to activate valve.



Unit may be pictured with some optional features.

INSTALLATION

Supply and waste piping are roughed in at wall locations shown on drawings provided by Metcraft. Wall anchors (not furnished) must be embedded in the wall at mounting locations shown on drawings. The fixture is mounted to the wall using a hanger bracket and bolts furnished with the fixture. Piping connections are made through the removable bottom access plates, which are secured in place with the vandal resistant fasteners provided. Fixture meets A.D.A. requirements when installed per A.D.A. guidelines.

STANDARD FEATURES

- Stainless steel construction.
- Stainless steel deep rectangular splash basin with multi-hole integral drain.
- Heavy duty chrome plated vandal resistant bubbler head.
- Security type pushbutton pneumatic control valves with .5 GPM flow restrictor.
- Stainless Steel access panels.
- Exposed screws are stainless steel tamperproof.

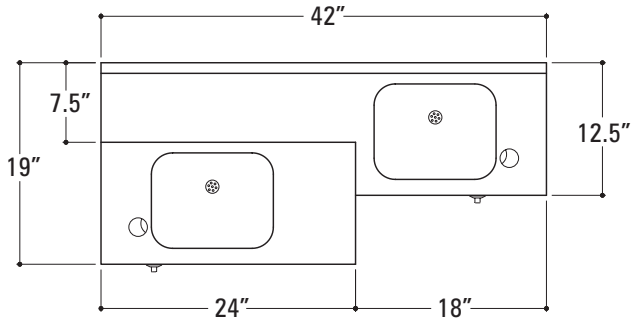
OPTIONS

A168- Metal template

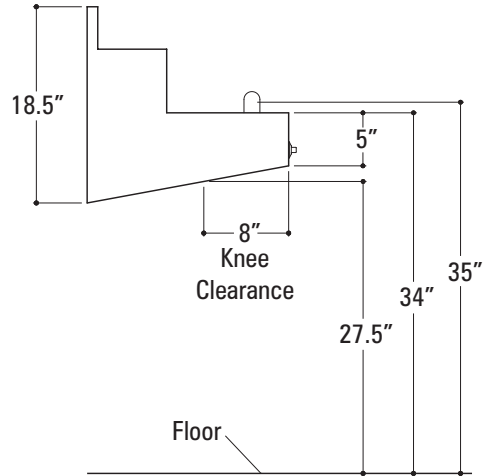




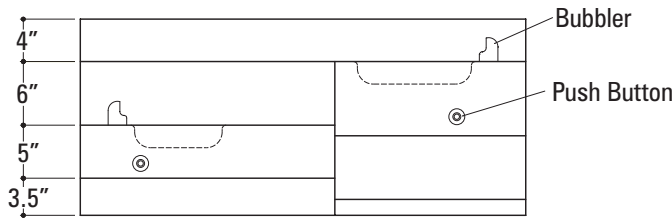
FIXTURE PLAN VIEW



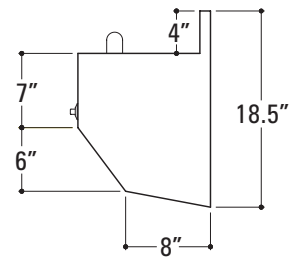
FIXTURE LEFT SIDE VIEW



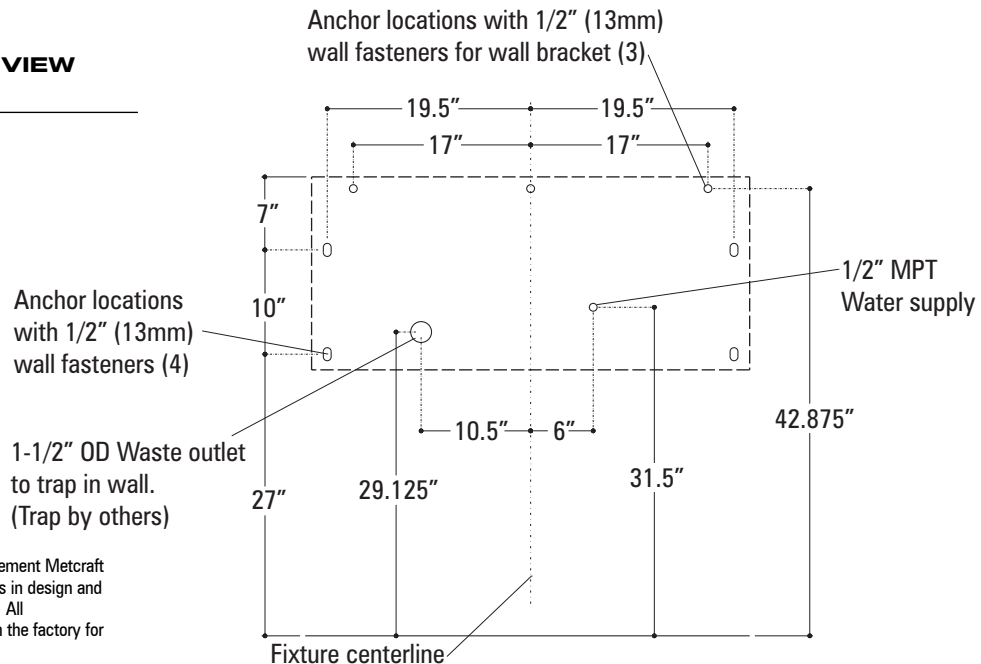
FIXTURE FRONT VIEW



FIXTURE RIGHT SIDE VIEW



WALL ROUGH-IN VIEW
(fixture side)



Due to continuous product improvement Metcraft reserves the right to make changes in design and specifications without prior notice. All dimensions should be verified with the factory for current information.

2004

