



## 3155-R&L

### Handicap Combination Fixture

These Combination Lavatory/Toilet Fixtures are designed for high security areas with an accessible pipe chase. The fixture is fabricated using 14-gauge type 304 stainless steel, in two seamlessly welded pieces and bolted internally together to form a one piece vandal resistant unit. Internal piping is stainless steel. Exposed surfaces are polished to a satin finish, except for the integral seat, which is polished to a bright mirror finish. Valves and other optional features are available.

### PERFORMANCE

Metcraft bowls and assemblies are designed to withstand 5000 lb. (22kN) loading without permanent deflection and damage. They meet or exceed ASME 112.19.6M for hydraulic performance and ASME 112.19.2M for physical dimensions. The trap will pass a 2 5/8" (67mm) dia. ball. A minimum 1" (25mm) supply of 25psi (172kPa) flushing pressure is required.

#### Water Consumption:

With a water saver flush valve - 3.5 gpf (13 liters)

With a low consumption flush valve - 1.6 gpf (6 liters)

### INSTALLATION

An accessible pipe chase is required. Six 1/2" (13mm) dia. plated steel anchor rods screw into sockets on back of the fixture. Anchor rods pass through the wall and are secured with washer lugs and hex nuts on the chase side of the wall. No exposed fasteners are used. The installer must provide wall openings for anchor rods, piping, and valve operators per rough-in drawings provided by Metcraft. Valves are installed in the pipe chase. Fixture meets A.D.A. requirements when installed per A.D.A. guidelines.

NOTE: A security frame (wall sleeve) is recommended when installed on a new block (CMU) or poured concrete wall. A security frame is not appropriate for hollow wall construction.



Right hand fixture is shown.  
Unit may be pictured with some optional features.

### RECOMMENDED FLUSH VALVES

	SLOAN	ZURN	DELANY
Water saver (3.5 GPF)	9603-MBPM	ZH6152-MBPM	1234
Low consumption (1.6 GPF)	9603-MBPM-1.6	ZH6152-MBPM-1.5	1234-1.5

### STANDARD FEATURES

- Floor-mounted cabinet, wall outlet waste.
- Rectangular lavatory basin with fast drain, air circulating self draining soap dish, and 4" (102mm) high backsplash.
- Elbow sink waste with air vent and 1 1/4" (32mm) OD plain end extended 4" (102mm) past back of fixture for slip type connections.
- Plated Steel concealed anchor rods and fasteners.
- Integral elongated toilet seat with mirror finish.
- Fully enclosed trap.
- 3" (76mm) OD toilet waste tube with plain end extended 4" (102mm) past back of fixture for NH type connections.

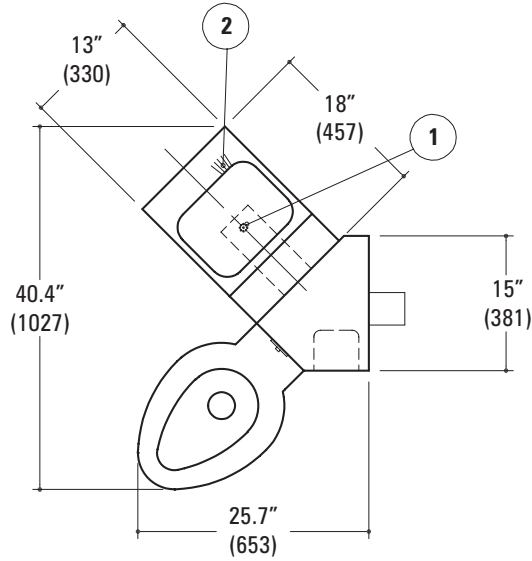
### OPTIONS & ACCESSORIES

Listing of available options is located at the back of this section.

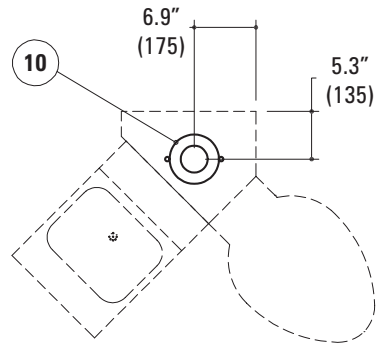


# 3155-R&L HANDICAP COMBINATION FIXTURE

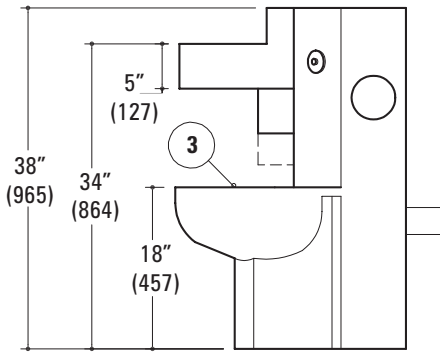
**FIXTURE PLAN VIEW**



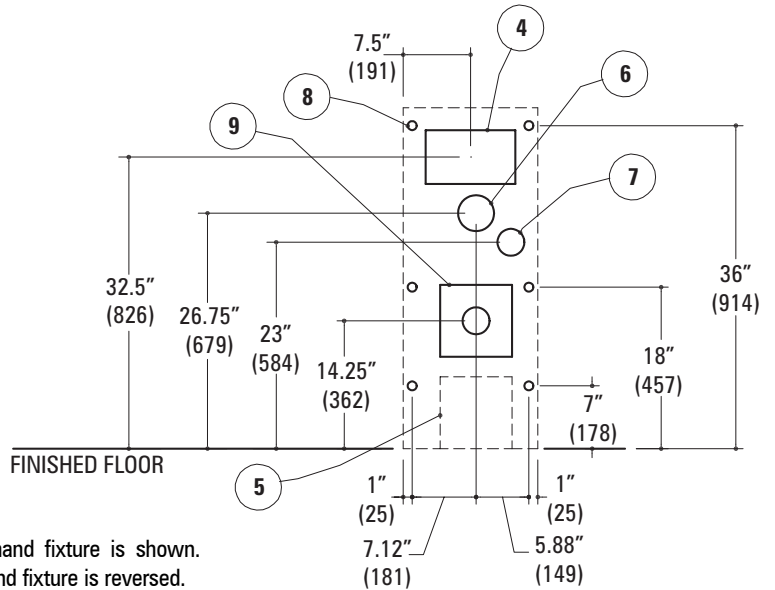
**FLOOR PLAN VIEW**



**FIXTURE SIDE VIEW**



**WALL ELEVATION VIEW (fixture side)**



Right hand fixture is shown.  
Left hand fixture is reversed.

## ROUGH-IN INFORMATION

- |  |   |  |
|--|---|--|
| ① Fast drain   | ⑤ 8" x 8" (203mm x 203mm) wall opening for optional floor outlet toilet waste conn. | ⑧ 1" (25mm) dia. wall opening for anchors (6)                                  |
| ② Soap dish  | ⑥ 4" (102mm) dia. wall opening for sink waste outlet                                | ⑨ 8" x 8" (203mm x 203mm) wall opening for wall outlet toilet waste connection |
| ③ Mirror finish seat                                       | ⑦ 3 1/2" (89mm) wall opening for 1 1/2" (38mm) FIPT flush supply inlet              | ⑩ Optional floor waste location  |
| ④ 4" x 10" (152mm x 254mm) wall opening for valve plumbing |   |  |

Due to continuous product improvement Metcraft reserves the right to make changes in design and specifications without prior notice. All dimensions should be verified with the factory for current information.

2004

# METCRAFT

INDUSTRIES INC.



**A.D.A. COMBINATION CHASE STYLE REFERENCE**

Right hand fixture is shown.

