

3115-90C

This Combination Lavatory/Toilet Fixture is designed for high security areas with an accessible pipe chase. Fixtures are fabricated using 14-gauge type 304 stainless steel, seamlessly welded to form a one piece, vandal resistant unit. Internal piping is stainless steel. Exposed surfaces are polished to a satin finish, except for the integral seat which is polished to a bright mirror finish.

PERFORMANCE

Metcraft bowls and assemblies are designed to withstand 5000 lb. (22kN) loading without permanent deflection and damage. They meet or exceed ASME 112.19.6M for hydraulic performance and ASME 112.19.2M for physical dimensions. The trap will pass a 2 5/8" (67mm) dia. ball. A minimum 1" (25mm) supply providing 25psi (172kPa) flushing pressure is required.

Water Consumption:

With a water saver flush valve - 3.5 gpf (13 liters)

With a low consumption flush valve - 1.6 gpf (6 liters)

INSTALLATION

An accessible pipe chase is required. Six 1/2" (13mm) dia. plated steel anchor rods screw into sockets on back of the fixture. Anchor rods pass through the wall and are secured with washer lugs and hex nuts on the chase side of the wall. No exposed fasteners are used. The installer must provide wall openings for anchor rods, piping, and valve operators per rough-in drawings provided by Metcraft. Valves are installed in the pipe chase.

NOTE: A security frame (wall sleeve) is recommended when installed on a new block (CMU) or poured concrete wall. A security frame is not appropriate for hollow wall construction.

RECOMMENDED FLUSH VALVES

	SLOAN	ZURN	DELANY
Water saver	603	Z6603	623
Low consumption	603-1.5	Z6603-1.5	623-1.5



Unit may be pictured with some optional features.

STANDARD FEATURES

- Floor mounted cabinet, wall outlet waste.
- Oval lavatory basin with fast drain, air circulating self draining soap dish, and 4" (102mm) high backsplash.
- Elbow sink waste with air vent and 1 1/4" (32mm) OD plain end extended 4" (102mm) past back of fixture for slip type connection.
- Plated steel concealed anchor rods and fasteners.
- Back supply connection 1 1/2" (38mm) FIPT.
- Integral elongated seat.
- Self draining flushing rim.
- Blowout flushing action.
- 3" (76mm) OD toilet waste tube with plain end extended 4" (102mm) past back of fixture for NH type connection.
- Fully enclosed trap.

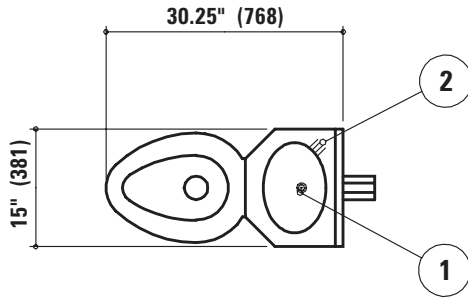
OPTIONS & ACCESSORIES

Listing of available options and accessories is located at the back of this section.

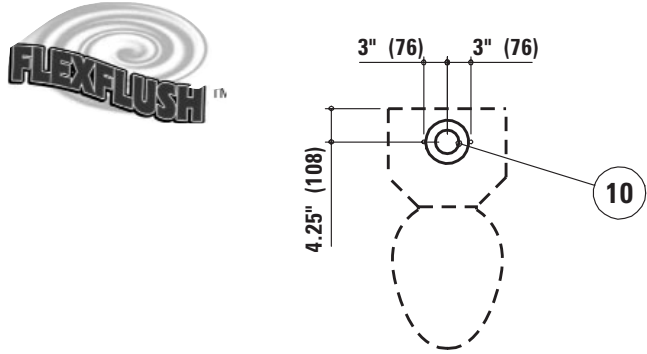
METCRAFT

INDUSTRIES INC.

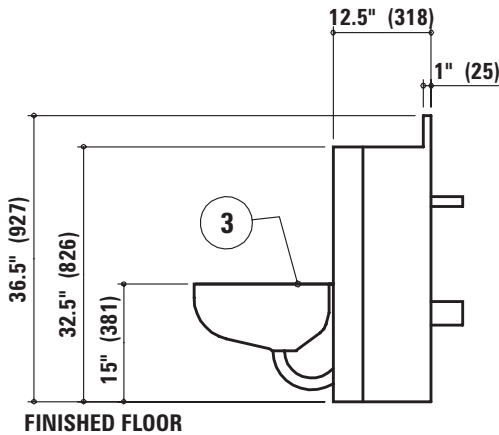
FIXTURE PLAN VIEW



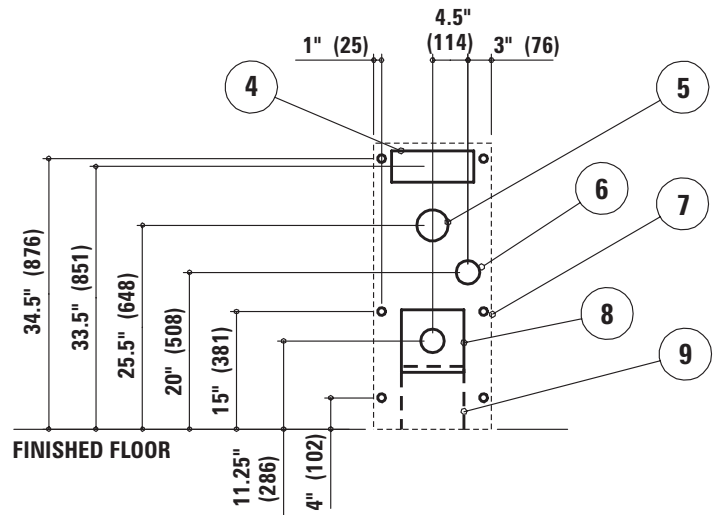
FLOOR PLAN VIEW (showing floor outlet roughs)



FIXTURE SIDE VIEW



WALL ELEVATION VIEW (fixture side)



ROUGH-IN INFORMATION

- ① Fast drain
- ② Soap dish
- ③ Mirror finish seat
- ④ 4" x 10 1/2" (102mm x 292mm) wall opening for valve plumbing
- ⑤ 4" (102mm) dia. wall opening for sink waste outlet (see note)
- ⑥ 3 1/2" (89mm) wall opening for 1 1/2" (38mm) FIPT flush supply inlet
- ⑦ 1" (25mm) dia. wall opening for anchors (6)
- ⑧ 8" x 8" (203mm x 203mm) wall opening for wall outlet toilet waste connection
- ⑨ 8" x 8" (203mm x 203mm) wall opening for optional floor outlet toilet waste connection
- ⑩ Optional floor waste location

Due to continuous product improvement Metcraft reserves the right to make changes in design and specifications without prior notice. All dimensions should be verified with the factory for current information.

2004

METCRAFT

INDUSTRIES INC.

COMBINATION FIXTURE OPTIONS & ACCESSORIES

OUTLET/MOUNTING

FW	Floor mounted, wall outlet
OW	Off the floor wall outlet
FF	Floor outlet

BASIN FEATURES

OB	Oval basin
RB	Rectangular basin
OS	Oval basin w/integral shelf
RS	Rectangular basin w/integral shelf

LAVATORY VALVES

A311	Single temperature, pneumatic valve
A312	Hot & cold, pneumatic valve
A313	Single temp., pneumatic valve, manifolded for 2, 3 or 4 fixtures
A314	Hot & cold, pneumatic valve, manifolded for 2, 3 or 4 fixtures
A331	Single temperature, non-metering valve
A332	Hot & cold, non-metering valve

SPOUTS AND OUTLETS

B1	Penal filler/bubbler
B2	Penal filler/bubbler w/mouthguard
B3	Filler only

ANTI-FLOOD FEATURE

AFH	Hydraulic anti-flood device
------------	-----------------------------

TOILET SEAT

HS	Hinged white plastic seat (no cover)
-----------	--------------------------------------

TOILETRY ACCESSORIES

HT	Single tension stainless steel release towel hook
BT	Integral stainless steel towel bar
TB	Stainless steel toothbrush holder
PH	Integral stainless steel recessed tissue holder

VENT GRILLES

VG-1	Mitered cabinets, on side(s)
VG-3	Non-mitered cabinets, on side(s)
VG-2	Mitered cabinets, bottom
VG-4	Non-mitered cabinets, bottom

ACCESSORY ITEMS

A120	Security frame (wall sleeve)
A168	Metal template

LAVATORY WASTES

EPL	Elbow waste extension 3" (76mm) into chase with air vent
ET2	Elbow waste 1 1/2" (38mm) FIPT outlet with air vent
SJP	Slip joint P-trap waste with cleanout 1 1/2" (38mm) OD Outlet with air vent
PT2	P-trap waste 1 1/2" (38mm) FIPT outlet with air vent
PPL	P-trap waste extension 3" (76mm) into chase with air vent
PPE	P-trap waste 4" (102mm) plain end extension 1 1/4" (32mm) OD outlet with air vent

CW0	Combined waste
CWC	Combined waste with cleanout

LAVATORY WASTE EXTENSIONS

A230	Cleanout ext. for combined waste feature
A235	Trap assembly 1 1/2" (38mm)
A240	Waste extension 1 1/2" (38mm) with cleanout

LAVATORY WASTE COUPLINGS

A205-1	1 1/4" (32mm) s/s to 1 1/2" (38mm) COPPER
A205-2	1 1/4" (32mm) s/s to 1 1/2" (38mm) PL/STL
A205-3	1 1/4" (32mm) s/s to 2" (51mm) CI

TOILET WASTE

GW	Gasket waste outlet
PL	Waste extension 3" (76mm) into chase

TOILET WASTE, PLAIN END, COUPLINGS

A210-1	3" (76mm) s/s to 4" (102mm) CI
A210-2	3" (76mm) s/s to 4" (102mm) PL
A210-3	3" (76mm) s/s to 3" (76mm) CI
A210-4	3" (76mm) s/s to 3" (76mm) PL

GASKET WASTE FITTINGS

A228	Torque 4" (102mm) no-hub floor
-------------	--------------------------------

TOILET WASTE NO-HUB CLEANOUT TEES

A215-3	3" (76mm)
A215-4	4" (102mm)

TOILET WASTE PINNED CLEANOUT PLUGS

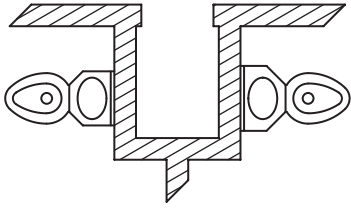
A216-3	3" (76mm)
A216-4	4" (102mm)

METCRAFT

INDUSTRIES INC.

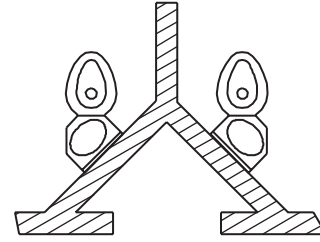
FIXTURE ORIENTATION

COMBINATION FIXTURE



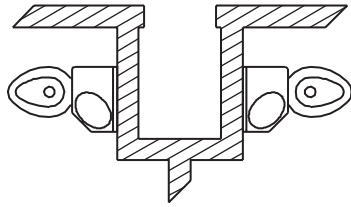
3115-90C

3118-90C



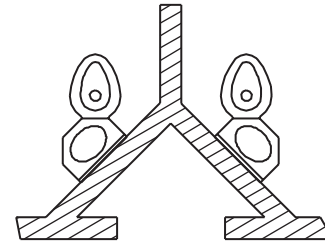
3115-45L

3115-45R



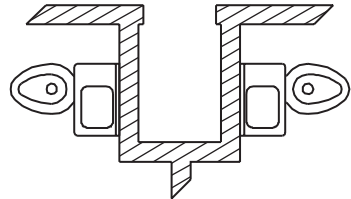
3118-90L

3118-90R



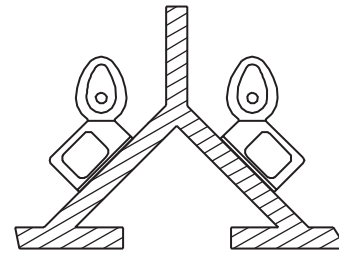
3118-45L

3118-45R



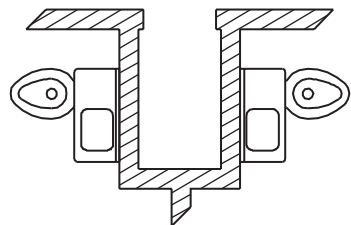
3120-90L

3120-90R



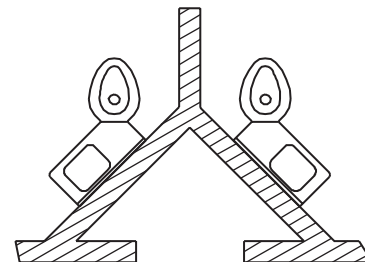
3120-45L

3120-45R



3126-90L

3126-90R



3126-45L

3126-45R

METCRAFT

INDUSTRIES INC.